

Design Features

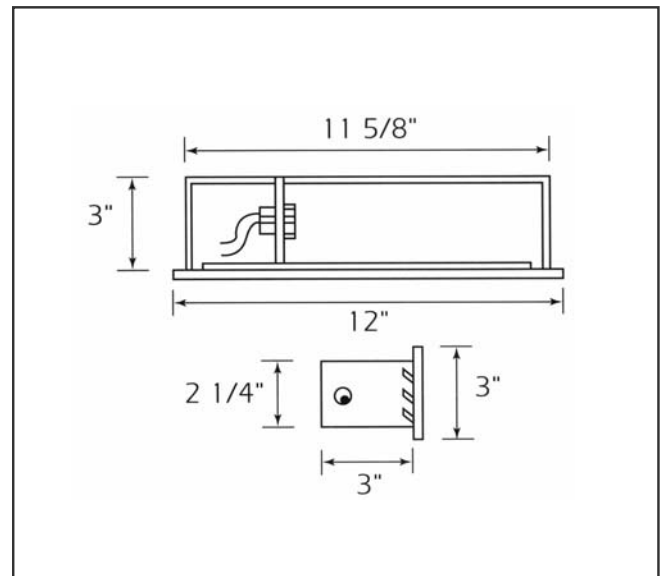
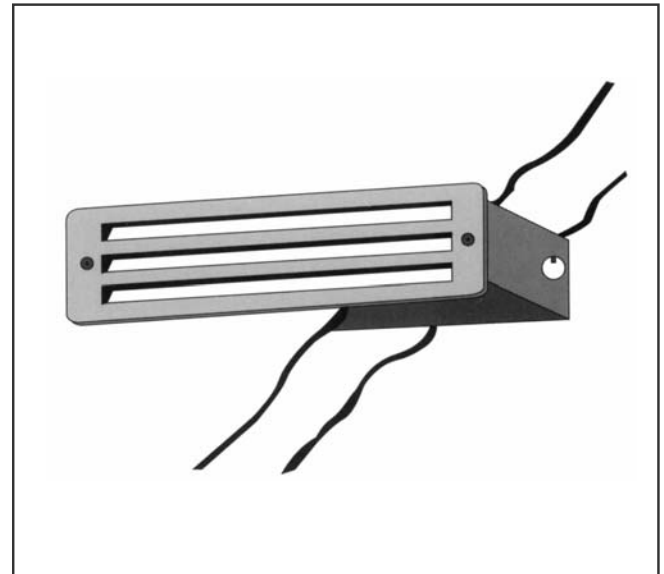
Housing: 18 gauge steel housing is designed for recessed dry or concrete pour applications. Housing is provided with two 1/2" conduit entry holes.

Face Plate: Rugged aluminum louvered face-plate is secured to housing with two stainless steel tamper proof fasteners.

Socket: Snap in porcelain medium base socket is supplied.

Finish: Polyester powder coating on all metal parts. Color to be specified.

Listing: Luminaire is ETL listed for dry locations.



Specification Guide

Series	Wattage/Lamp	Volts	Options	Finish
CT	25w/INC = 125I	120	IF = Single Fuse	BZ = Bronze BK = Black WH = White SL = Silver CC = Custom Color

Example: 25 Watt, Incandescent, 120 Volts, Single Fuse, Black
CT-125I-120/IF/BZ