

Design Features

Housing: Extruded aluminum sides are welded to a cast aluminum back plate. Housing is provided with two (2) wire entry holes. Specify 1/2" or 3/4" NPT. Neoprene gasket is installed between housing and face-plate.

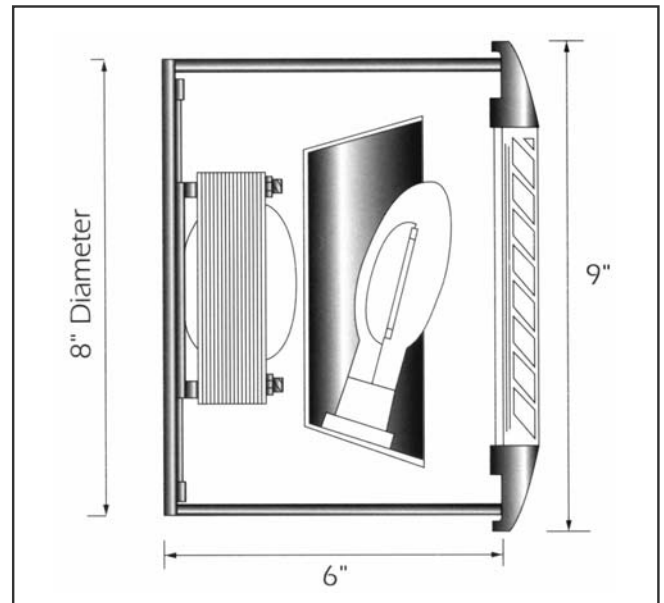
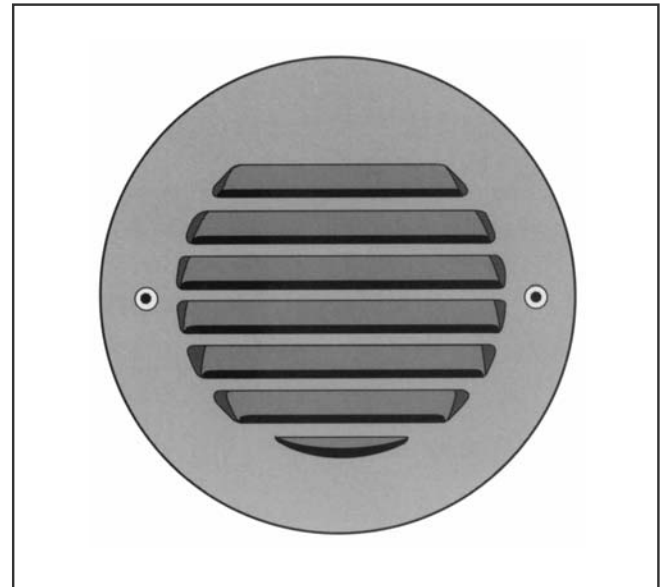
Face Plate: Rugged cast aluminum face-plate with 45° louvers, secures clear tempered glass. Face-plate is secured to housing with (2) tamper resistant stainless steel fasteners.

Reflector: Specular aluminum reflector provides asymmetric distribution.

Ballast/Lamp Assembly: HID ballast shall have a high power factor. Fluorescent ballast shall be electronic dual voltage. HID sockets shall be porcelain, medium base and pulse-rated.

Finish: Polyester powder coating on all metal parts. Color to be specified.

Listing: Luminaire is ETL listed for wet locations.



Specification Guide

Series	Wattage/Lamp	Volts	Options	Finish
CS	35w/HPS = 103S	120	IF = Single Fuse	BZ = Bronze BK = Black WH = White
	50w/HPS = 105S	277		
	70w/HPS = 107S			
	50w/MV = 105V			
	75w/MV = 107V			
	26w/PLQ = 126P			
	13w/PLQ = 113P			

Example: 35 Watt, High Pressure Sodium, 120 Volts, Single Fuse, Bronze
CS-103S-120/IF/BZ