

Design Features

Enclosure: One piece seamless high strength polycarbonate octagonal sphere is 18" in diameter. Spheres are available in clear, smoke and bronze tints. All spheres are UV stabilized for longer life.

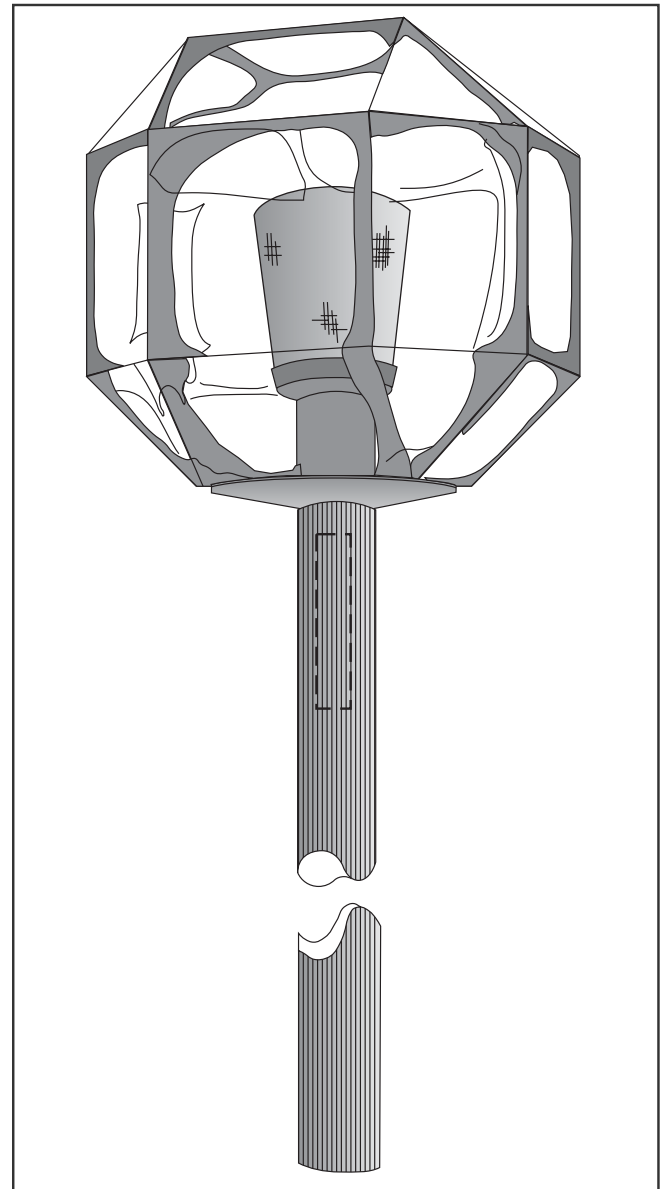
Fitter: Heavy duty cast aluminum holder provides strength and durability. Spring loaded retaining brackets secure enclosure to gasketed fitter. Internal stainless steel set screws secure assembly to 3" diameter tenon.

Optical System: Cylindrical glass refractor is available for use with all available enclosures. Specify "RF" when refractor is required.

Ballast/Lamp Assembly: All ballast shall have a high power factor and be suitable for -20° F operation. A cover for core and coil ballast is provided with transparent enclosures. Postline ballast will be provided when possible. Porcelain medium base pulse-rated socket is attached to fitter assembly.

Finish: Polyester powder coating on all metal parts. Color to be specified.

Listing: Luminaire is ETL listed for wet locations.



Specification Guide

Series	Size	Wattage/Lamp	Volts	Tint	Options	Finish
OS	18"	100w/INC = INC	120	C = Clear	RF = Refractor	BZ = Bronze
		70w/MH = 07H	208	B = Bronze	WM= Wall Mounting	BK = Black
		100w/MH = 10H	240	S = Smoke	2A = Twin Assembly	WH = White
		175w/MH = 17H	277		3A = Triple Assembly	SL = Silver
		70w/HPS = 07S	480		4A = Quad Assembly	CC = Custom Color
		100w/HPS = 10S				
		150w/HPS = 15S				

Example: 18" Sphere, 150 Watt, High Pressure Sodium, 120 Volts, Clear, Wall Mounted, Black
OS-11815S-120/C/WM/BK