

## Design Features

**Housing:** Heavy duty aluminum housing is internally welded and sealed. Lens frame support is welded in housing and gasketed.

**Lens Frame:** Formed aluminum frame is hinged at pole side and secured with four fasteners. Clear tempered glass is gasketed and attached to frame with four clips.

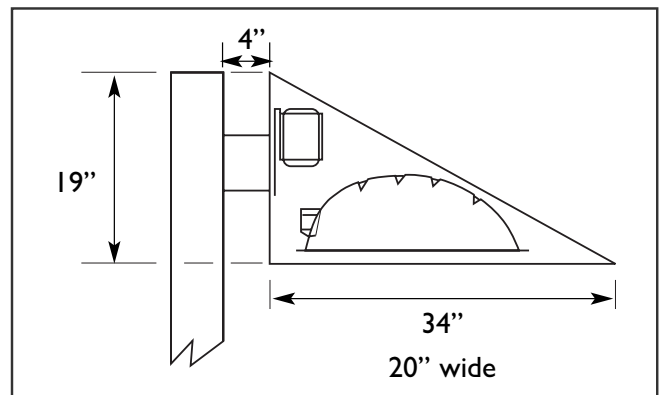
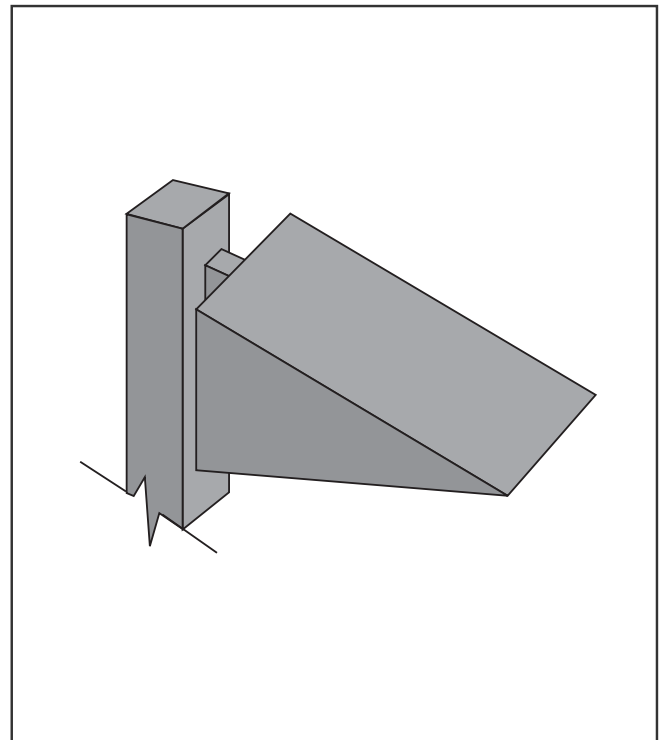
**Optical Assembly:** Hydroformed aluminum reflector provides an IES Type III distribution.

**Mounting Bracket:** Extruded aluminum arm is provided with two 1/2" threaded rods to bolt housing to the square pole.

**Ballast/Lamp Assembly:** All ballast shall be high power factor and suitable for -20° operation. The ballast is mounted on a module and secured to the housing with two fasteners. Lamp sockets are porcelain pulse-rated mogul base.

**Finish:** Polyester powder coating on all metal parts. Color to be specified.

**Listing:** Luminaire is ETL listed for wet locations.



## Specification Guide

Series	Wattage/Lamp	Volts	Options	Finish
AM-2	250w/MH = 25H	120	IF = Single Fuse	BZ = Bronze
	400w/MH = 40H	208	2F = Double Fuse	BK = Black
	250w/HPS = 25S	240	PH = Button Cell	WH = White
	400w/HPS = 40S	277	QR = Quartz Relay	SL = Silver
		480		CC = Custom Color

**Example:** 250 Watt, Metal Halide, 120 Volts, Single Fuse, Bronze  
**AM-225H-120/IF/BZ**