

Design Features

Housing: Heavy duty aluminum housing is internally welded and sealed. Lens frame support is welded in housing and gasketed.

Lens Frame: Formed aluminum frame is hinged at pole side and secured with four fasteners. Clear tempered glass is gasketed and attached to frame with four clips.

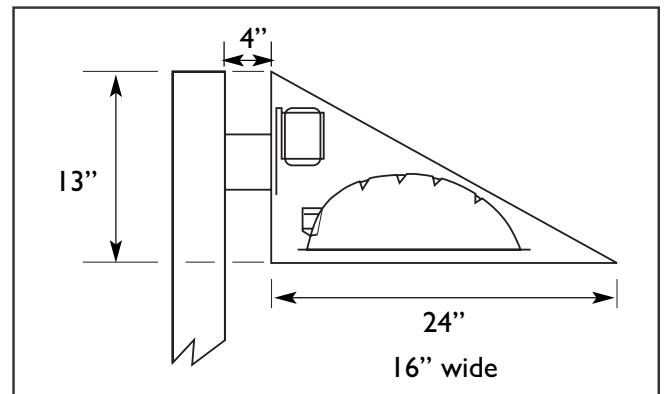
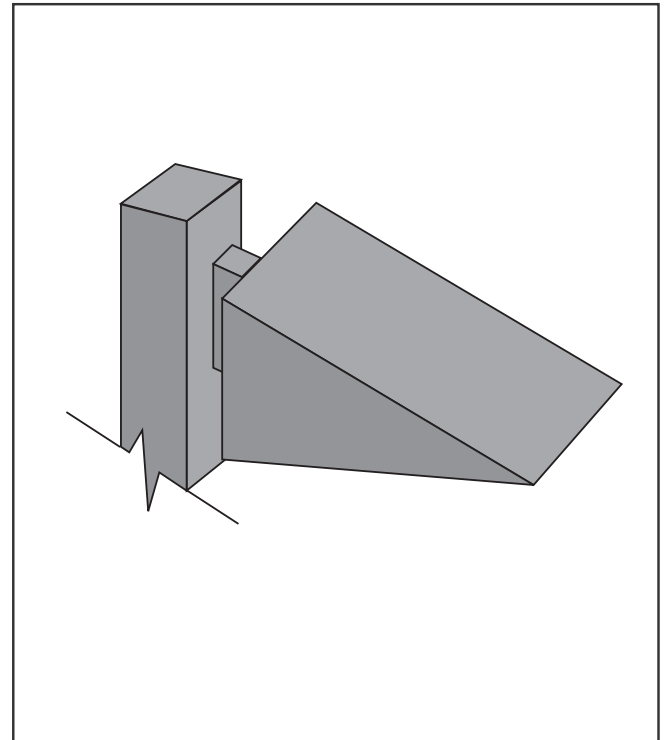
Optical Assembly: Hydroformed aluminum reflector provides an IES Type III distribution.

Mounting Bracket: Extruded aluminum arm is provided with two 1/2" threaded rods to bolt housing to the square pole.

Ballast/Lamp Assembly: All ballast shall be high power factor and suitable for -20° operation. The ballast is mounted on a module and secured to the housing with two fasteners. Lamp sockets are porcelain pulse-rated mogul base.

Finish: Polyester powder coating on all metal parts. Color to be specified.

Listing: Luminaire is ETL listed for wet locations.



Specification Guide

Series	Wattage/Lamp	Volts	Options	Finish
AM-1	100w/MH = 10H	120	IF = Single Fuse	BZ = Bronze
	175w/MH = 17H	208	2F = Double Fuse	BK = Black
	100w/HPS = 10S	240	PH = Button Cell	WH = White
	150w/HPS = 15S	277	QR = Quartz Relay	SL = Silver
		480		CC = Custom Color

Example: 175 Watt, Metal Halide, Single Fuse, Bronze
AM-1 17H-120/IF/BZ