

Design Features

Housing: Heavy duty aluminum housing is internally welded and sealed. Extruded aluminum channel is welded to back of the housing which bolts directly to the wall.

Lens Frame: Formed from extruded aluminum, the frame rests on gasketed support frame in housing. Lens frame is secured to the housing with three stainless steel tamper proof fasteners.

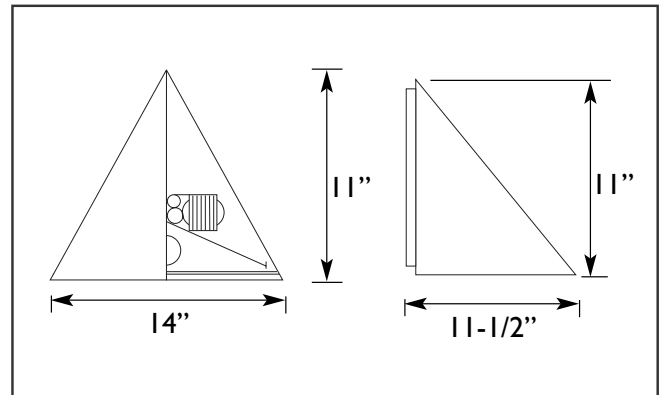
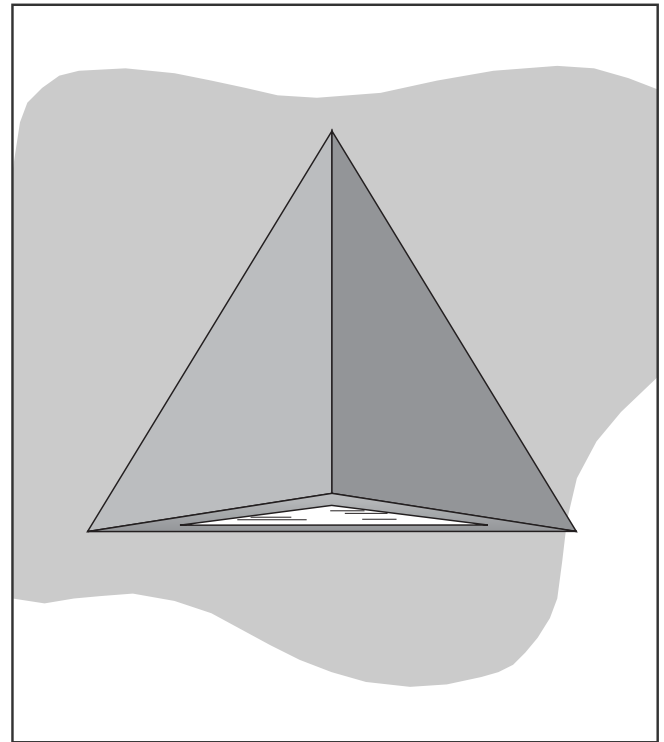
Lens: Clear heat tempered glass lens is gasketed and secured in the frame with (3) clips.

Optical Assembly: Specular aluminum reflector provides asymmetric distribution.

Ballast/Lamp Assembly: All ballast shall be Electronic and dual voltage. The ballast is secured to the housing with two bolts. Lamp sockets are 4-pin made by Leviton.

Finish: Polyester powder coating on all metal parts. Color to be specified.

Listing: Luminaire is ETL listed for wet locations.



Specification Guide

Series	Wattage/Lamp	Volts	Options	Finish
SW-3	13w/PLQ = 13P	120	1F = Single Fuse	BZ = Bronze
	18w/PLQ = 18P	277	2F = Double Fuse	BK = Black
	26w/PLT = 26P		PH = Button Cell	WH = White
	32w/PLT = 32P			SL = Silver
	42w/PLT = 42P			CC = Custom Color

Example: 42 Watt, PLT, 120 Volts, Single Fuse, Bronze
SW-342P-120/1F/BZ