

Design Features

Housing: Heavy duty aluminum housing is internally welded and sealed. Extruded aluminum channel is welded to back of the housing which bolts directly to the wall.

Lens Frame: Formed from extruded aluminum, the frame rests on gasketed support frame in housing. Lens frame is secured to the housing with three stainless steel tamper proof fasteners.

Lens: Clear heat tempered glass lens is gasketed and secured in the frame with (3) clips.

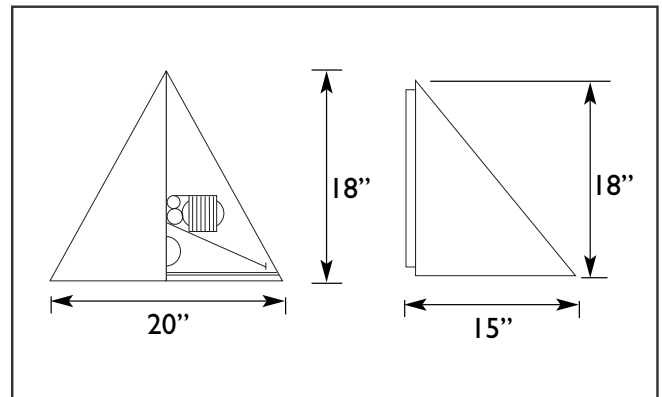
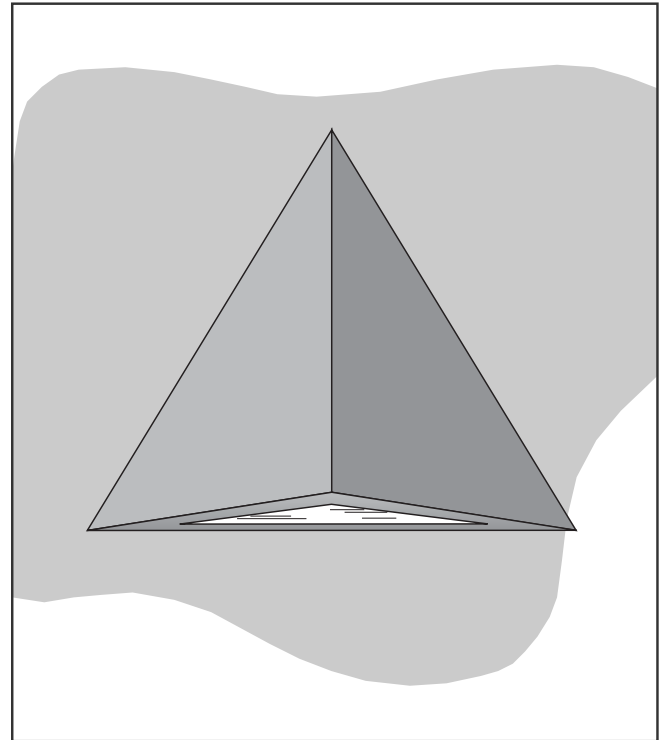
Optical System: Segmented reflector assembly combines specular and hammertone aluminum to produce a smooth forward throw distribution. Optional wide side to side throw is available. "WT"

Ballast/Lamp Assembly: All HID ballast shall have a high power factor and be suitable for -20° F operation. The ballast module is easily removable for maintenance. The lamp socket shall be porcelain medium base pulse-rated.

Mounting Bracket: Housing bolts directly to the wall and should be sealed at the wall for exterior use. Short extruded arm and bolts are provided for pole mounted luminaires.

Finish: Polyester powder coating on all metal parts. Color to be specified.

Listing: Luminaire is ETL listed for wet locations.



Specification Guide

Series	Wattage/Lamp	Volts	Options	Finish
SW-1	70w/HPS = 07S	120	1F = Single Fuse	BZ = Bronze
	100w/HPS = 10S	208	2F = Double Fuse	BK = Black
	150w/HPS = 15S	240	PH = Button Cell	WH = White
	70w/MH = 07H	277	PM = Pole Mount	SL = Silver
	100w/MH = 10H	480	QR = Quartz Relay	CC = Custom Color
	175w/MH = 17H		WT = Wide Throw	

Example: 100 Watt, Metal Halide, 120 Volts, Single Fuse, Bronze
SW-110H-120/1F/BZ