

## Design Features

**Housing:** Heavy gauge aluminum housing is internally welded and sealed to prevent water entry or light leaks.

**Lens Frame:** Cast aluminum lens frame is gasketed at the housing. Frame is secured to the housing with two stainless steel tamper resistant fasteners.

**Lens:** Clear heat tempered glass lens is gasketed and secured in the frame with (4) clips.

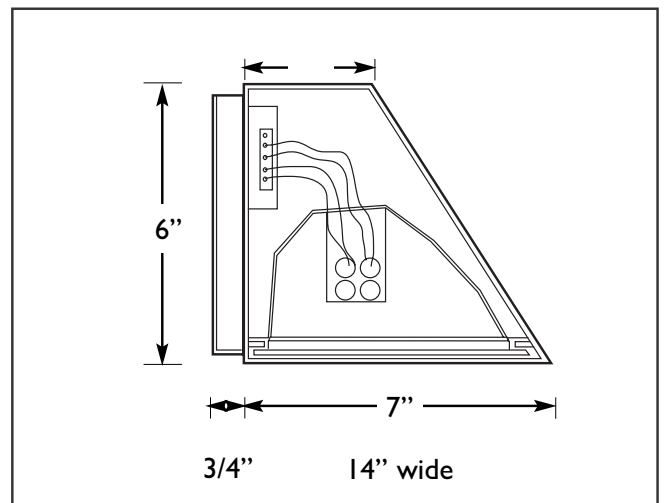
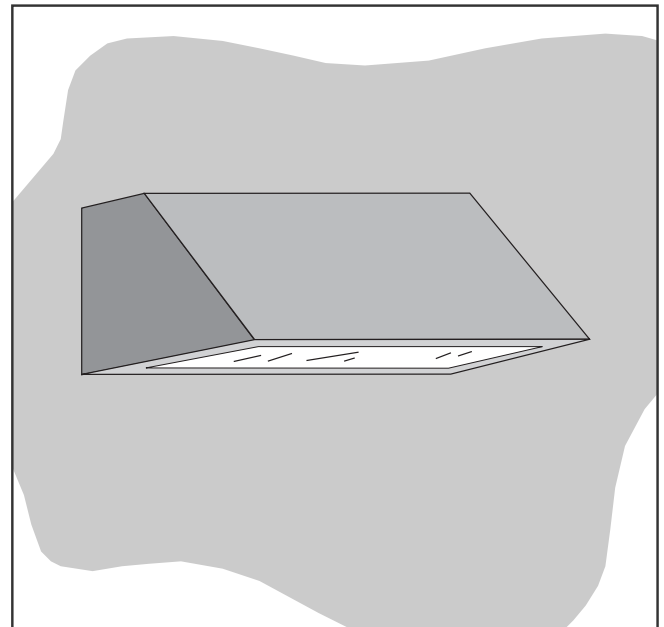
**Optical System:** Segmented reflector assembly combines specular and hammertone aluminum to produce a smooth forward throw distribution.

**Ballast/Lamp:** All CFL ballast shall be electronic with universal input voltage from 120 to 277V, at 50 or 60Hz. The sockets are Leviton 4-pin design. They have a white thermoplastic body with quick-connect push-in wiring terminals.

**Mounting Bracket:** Cast aluminum cover is bolted to housing. Cover slips over mounting plate which bolts to J-Box and wall surface.

**Finish:** Polyester powder coating on all metal parts. Color to be specified.

**Listing:** Luminaire is ETL listed for wet locations.



## Specification Guide

Series	Wattage/Lamp	Volts	Options	Finish
SV-3	13w/PLQ = 13P	120	FG = Frosted Glass	BZ = Bronze
	18w/PLQ = 18P		PG = Prismatic Glass	BK = Black
	26w/PLQ = 26P	277	IF = Single Fuse	WH = White
	32w/PLT = 32P		PH = Button Cell	SL = Silver
	42w/PLT = 42P		EMB = Emergency Ballast	CC = Custom Color
	57w/PLT = 57P			

**Example:** 42 Watt, Compact Fluorescent, 277 Volt, Bronze  
**SV-342P-277/BZ**