

## Design Features

**Housing:** Formed from heavy gauge aluminum, the housing is curved with lens frame internally welded in place. Housing secures to the mounting plate with (4) stainless steel fasteners.

**Lens:** Clear tempered glass is secured in the housing with three (3) retaining clips. Optional up light is available "UL", in either 50% or 10%..

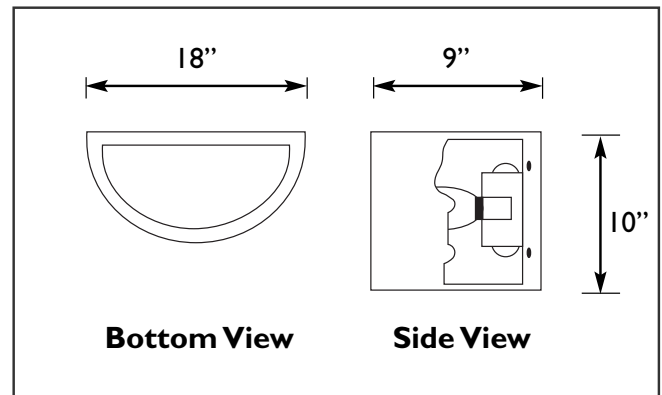
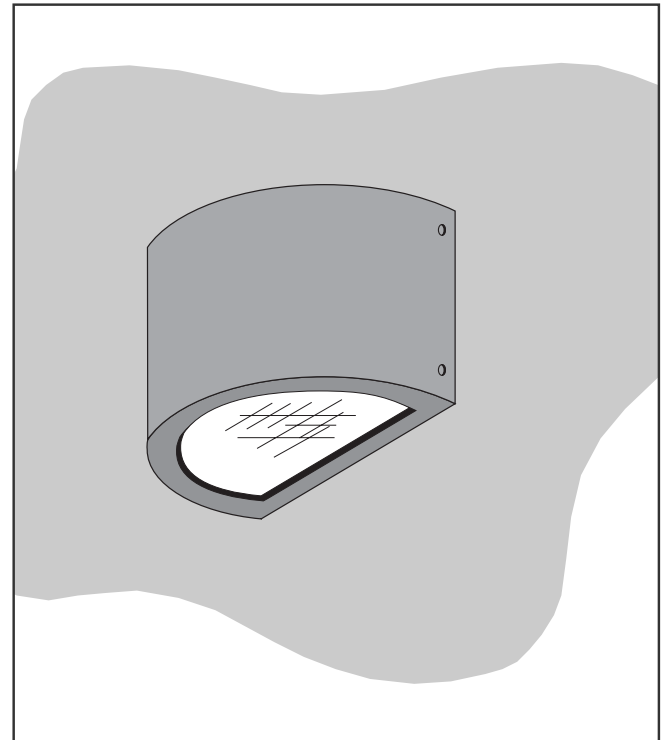
**Optical System:** Segmented reflector assembly combines specular and hammertone aluminum to produce a smooth forward throw distribution. Optional wide side to side throw is available. "WT"

**Mounting Plate:** Heavy gauge .125 wall aluminum plate bolts to the wall. Ballast module and housing are attached to the plate.

**Ballast/Lamp Assembly:** All HID ballast shall have a high power factor and be suitable for -20° F operation. The ballast module is easily removable for maintenance. The lamp socket shall be porcelain medium base pulse-rated for HID lamps.

**Finish:** Polyester powder coating on all metal parts. Color to be specified.

**Listing:** Luminaire is ETL listed for wet locations.



## Specification Guide

Series	Wattage/Lamp	Volts	Options	Finish
SK-1	70w/HPS = 07S	120	1F = Single Fuse	BZ = Bronze
	100w/HPS = 10S	208	2F = Double Fuse	BK = Black
	150w/HPS = 15S	240	PH = Button Cell	WH = White
	70w/MH = 07H	277	QR = Quartz Relay	SL = Silver
	100w/MH = 10H	480	UL/10 = 10% UP	CC = Custom Color
	175w/MH = 17H		UL/50 = 50% UP	
			WT = Wide Throw	

**Example:** 100 Watt, Metal Halide, 120 Volts, Single Fuse, Bronze  
**SK-110H-120/1F/BZ**