

## Design Features

**Housing:** Two interlocking .188 wall aluminum extrusions form the hemisphere shaped cylinder. The top has a 45 degree slope for design and light distribution. Cast louvers are attached to the bottom for aesthetics. The housing is bolted to the mounting module with four flush tamperproof stainless fasteners.

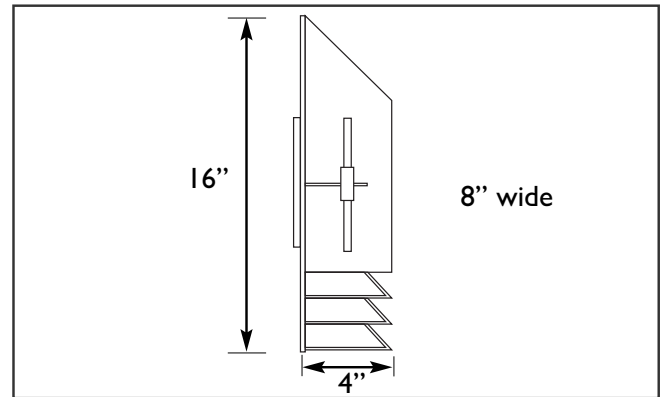
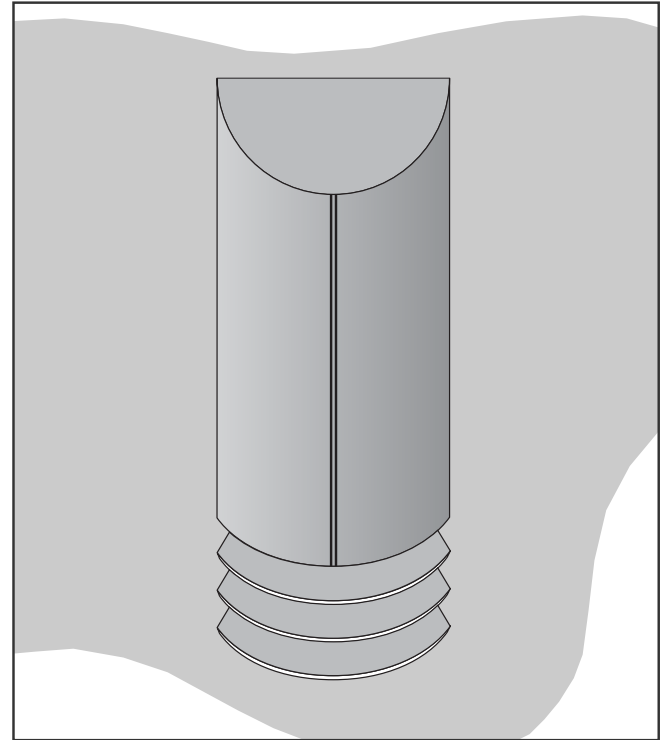
**Cast-Louvers:** Three die cast louvers with aligning guides are internally bolted to the extruded housing. Decorative stainless steel acorn nuts cap off the threaded bolts. Luminaire can be provided with additional louvers or with no louvers.

**Ballast/Lamp:** Electronic dual voltage ballasts are provided. Double-contact bayonet socket is supplied for T-4 quartz lamps.

**Mounting Module:** Heavy gauge aluminum pan is to be mounted to wall surface and J-Box. The ballast cover plate fits tightly over wall pan and is secured with four stainless steel tamperproof fasteners.

**Finish:** Polyester powder coating on all metal parts. Color to be specified.

**Listing:** Luminaire is ETL listed for dry locations.



## Specification Guide

Series	Wattage/Lamp	Volts	Options	Finish
SG-I	13w/PL = 13P 110w/Quartz= 10Q	120 277	DM = Down Mounting	BZ = Bronze BK = Black WH = White SL = Silver CC = Custom Color

**Example:** Quartz Lamp, 120 Volts, Glass Top, Bronze  
**SG-I10Q-120/1F/BZ**