

SF 200 Series



Design Features

Face Plate: Formed from one sheet of aluminum, the cage is machined and rolled as one unit. Full length lens supports are internally welded to cage. The face plate secures to the mounting pan with stainless steel fasteners.

Lens: An opal polycarbonate lens which has been UV stabilized for longer life is secured to face-plate. Optional up and down lens are available.

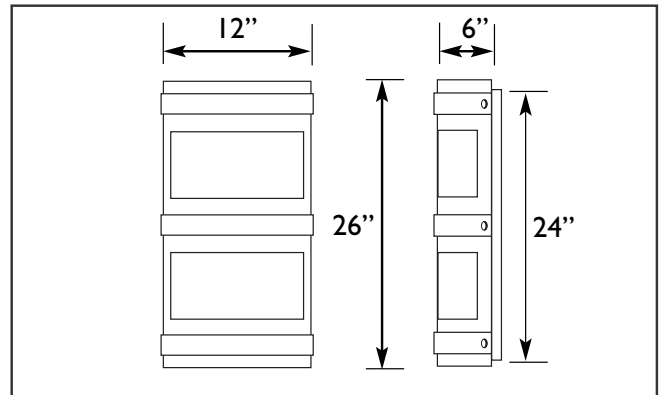
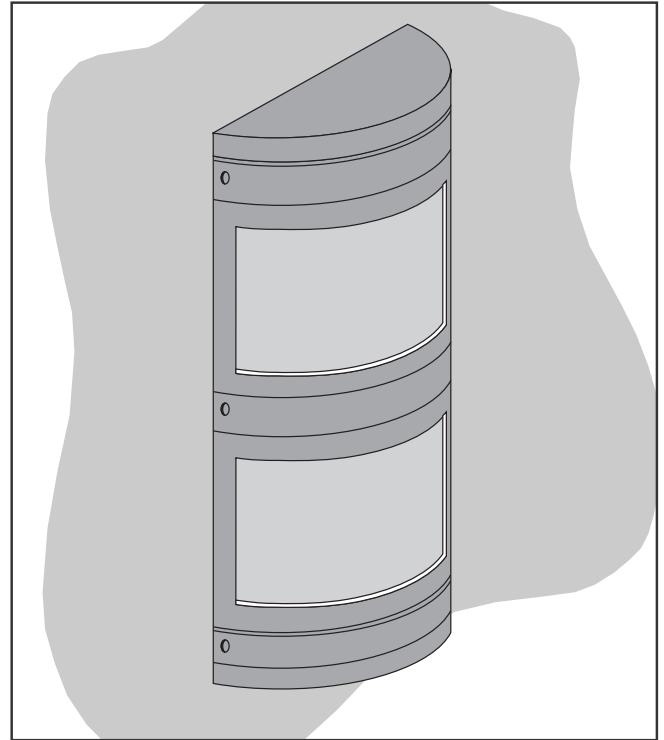
Optical System: Clear specular reflector is provided to help distribute the light in a smooth asymmetric distribution.

Ballast/Lamp: All ballast shall have a high power factor and be suitable for -20° F operation. The ballast module consists of two ballast assemblies mounted to the back pan. To prevent any shadows the ballast are located in upper and lower caps. Sockets shall be porcelain pulse-rated medium base.

Mounting Module: 11 gauge steel pan is zinc plated to be mounted to wall surface.

Finish: Polyester powder coating on all metal parts. Color to be specified.

Listing: Luminaire is ETL listed for wet locations.



Specification Guide

Series	Wattage/Lamp	Volts	Options	Finish
SF-2	70w/MH = 07H	120	1F = Single Fuse	BZ = Bronze
	50w/MH = 05H	208	2F = Double Fuse	BK = Black
	70w/HPS = 07S	240	PH = Button Cell	WH = White
	50w/HPS = 05S	277	UD = Up & Down Light	SL = Silver
		480		CC = Custom Color

Example: 70 Watt, Metal Halide, 120 Volts, Single Fuse, Bronze
SF-207H-120/1F/BZ