

Design Features

Housing: Heavy gauge aluminum housing is internally welded and sealed to prevent water entry or light leaks. Housing is bolted to aluminum ballast compartment.

Lens Frame: Formed from extruded aluminum, the frame rests on gasketed support frame in housing. Lens frame is secured to the housing with two stainless steel tamperproof fasteners.

Lens: Clear heat tempered glass lens is gasketed and secured in the frame with (4) clips.

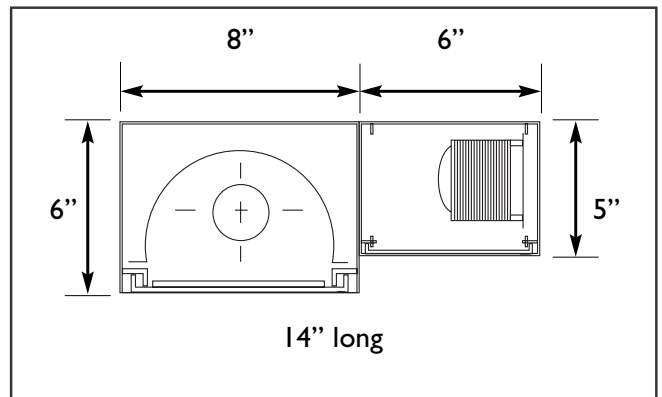
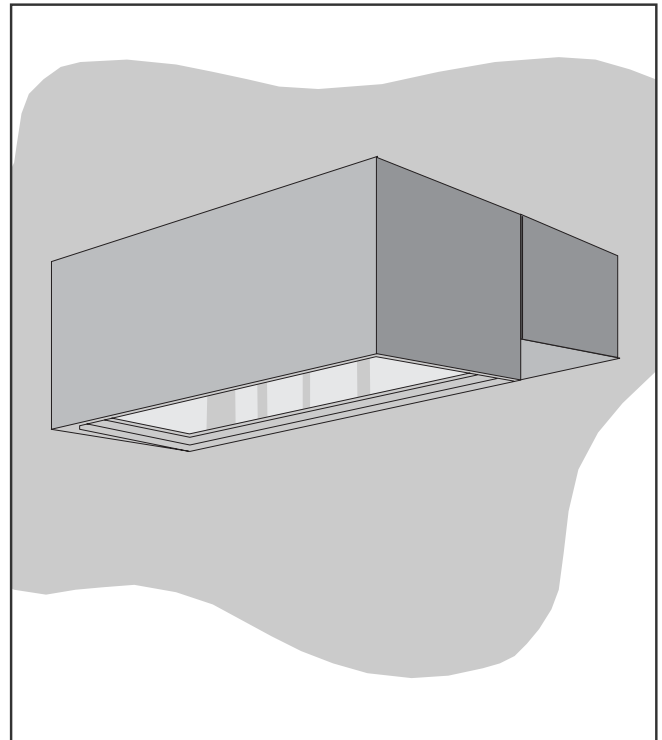
Optical System: Clear specular reflector is provided to help distribute the light in a smooth asymmetric distribution.

Ballast/Lamp Assembly: All ballast shall have a high power factor and be suitable for -20° F operation. The ballast module is easily removable for maintenance. The lamp socket shall be porcelain medium base pulse-rated for HID lamps.

Ballast Compartment: Aluminum ballast housing which is welded to fixture housing has removable cover to access ballast. Luminaire is designed to bolt to J-Box and wall surface.

Finish: Polyester powder coating on all metal parts. Color to be specified.

Listing: Luminaire is ETL listed for wet locations.



Specification Guide

| Series | Wattage/Lamp | Volts | Options | Finish |
|--------|----------------|-------|-------------------|-------------------|
| SE-I | 70w/MH = 07H | 120 | 1F = Single Fuse | BZ = Bronze |
| | 100w/MH = 10H | 208 | 2F = Double Fuse | BK = Black |
| | 175w/MH = 17H | 240 | PH = Button Cell | WH = White |
| | 70w/HPS = 07S | 277 | QR = Quartz Relay | SL = Silver |
| | 100w/HPS = 10S | 480 | | CC = Custom Color |
| | 150w/HPS = 15S | | | |

Example: 100 Watt, Metal Halide, 120 Volts, Single Fuse, Bronze
SE-I 10H-120/1F/BZ