

## Design Features

**Housing:** Heavy gauge aluminum housing is internally welded and sealed to prevent water entry or light leaks. Lens frame support is welded to housing and sealed. Two weep holes are in back of housing to allow water run off when used in wet locations. If luminaire is to be mounted down specify with "DM".

**Lens Frame:** Formed from extruded aluminum, the frame rests on the raised support frame in housing. This allows water to travel between lens frame and support frame and out the weep holes. Lens frame is gasketed and secured with two stainless steel tamper-proof fasteners.

**Lens:** A clear heat tempered glass lens is used for quartz lamps and DR acrylic is used with PL lamps. The lens is sealed to the frame to prevent water entry.

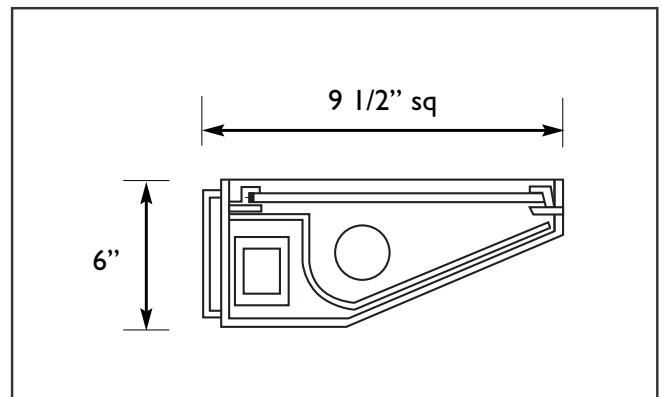
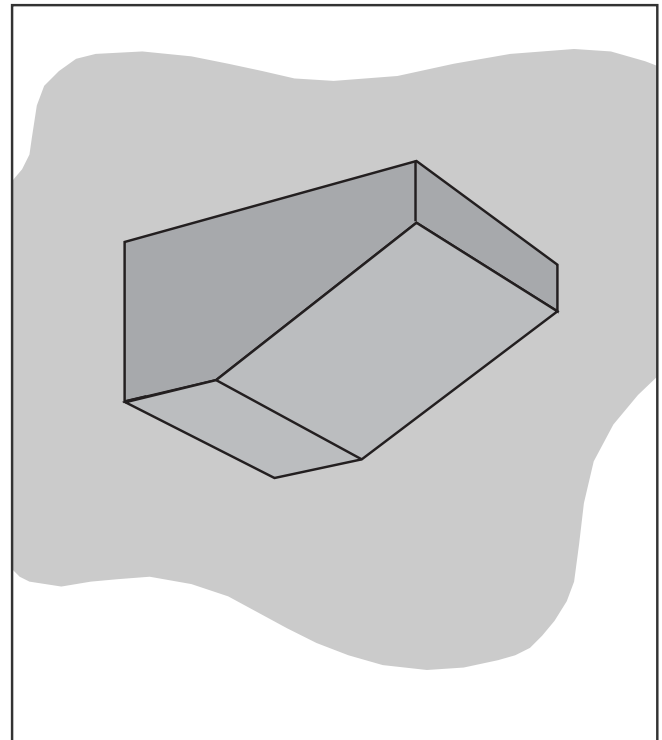
**Optical System:** Clear specular reflector is provided to help distribute the light in a smooth asymmetric distribution.

**Ballast/Lamp Assembly:** Electronic dual voltage ballasts are provided. Double-contact bayonet socket is supplied for T-4 quartz lamps.

**Mounting Bracket:** Cast aluminum cover is bolted to housing. Cover slips over mounting plate which bolts to J-Box and wall surface. The cover acts as wiring box.

**Finish:** Polyester powder coating on all metal parts. Color to be specified.

**Listing:** Luminaire is ETL listed for wet locations.



## Specification Guide

Series	Wattage/Lamp	Volts	Options	Finish
SD-1	26w/PLQ = 26P 32w/PLT = 32P 42w/PLT = 42P 150w/QZ = 15Q 100w/QZ = 10Q	120 277	IF = Single Fuse PH = Button Cell DM = Down Mounting	BZ = Bronze BK = Black WH = White SL = Silver CC = Custom Color

**Example:** 100 Watt, Quartz Lamp, 120 Volts, Single Fuse, Bronze  
**SD-110Q-120/IF/BZ**