

YRQ 1200 Series



Design Features

Housing: Four interlocking aluminum extrusions are welded to a cast top to form the housing. Unit can be surface, pendant or arm mounted.

Lens Assembly: Tempered prismatic lens is attached to the cast aluminum regressed frame.

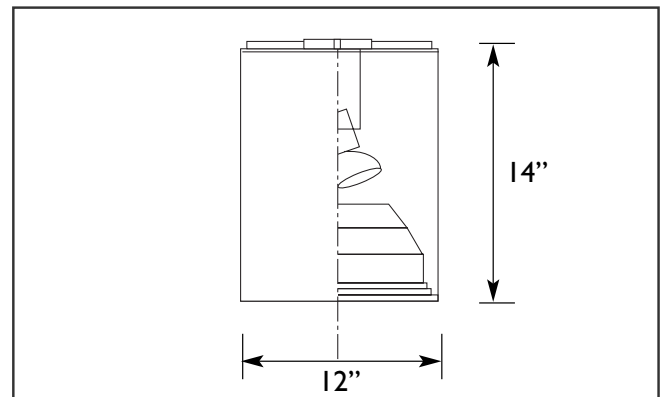
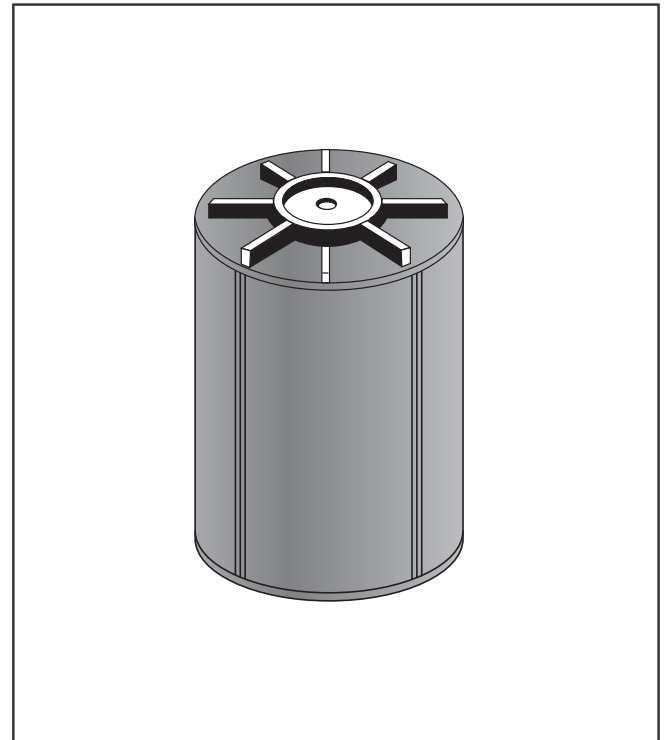
Optical System: Specular aluminum reflector is attached to the lens frame.

Mounting Bracket: A 1/2" aluminum pendant with swivel canopy is supplied for mounting to the ceiling or a 2" x 5" x 6" long arm and mounting plate is supplied for wall mounting.

Socket Assembly: Porcelain mogul end-prong socket is provided for 500 watt Par-56 lamps and for T-4 lamps a double-contact bayonet socket will be supplied.

Finish: Polyester powder coating on all metal parts. Color to be specified.

Listing: Luminaire is ETL listed for wet locations.



Specification Guide

Series	Wattage/Lamp	Volts	Options	Finish
YRQ-12	250w/T4 = 25T4Q 500w/T4 = 50T4Q 500W/Par56 = 50P56Q	120	PM = Pendant Mount Specify Length WM = Wall Mount	BZ = Bronze BK = Black WH = White SL = Silver CC = Custom Color

Example: 500 Watt Par-56 Quarts, 120 Volts, Wall Mount, Bronze
YRQ-1250P56Q-120/WM/BZ