

YRD 1200 Series



Design Features

Housing: Four heavy gauge extruded aluminum sections interlock to form the cylinder. Ballast support brackets with 1/4" threaded studs are internally welded to the housing.

Dome Cap: Heavy gauge .125 wall hydroformed hemispherical cap is secured with stainless steel fastener.

Lens Assembly: Clear tempered glass lens is secured in regressed cast aluminum frame with three clips. Gasket is installed between the glass and the frame and between frame and housing. Frame is secured to the housing with three flush stainless steel fasteners.

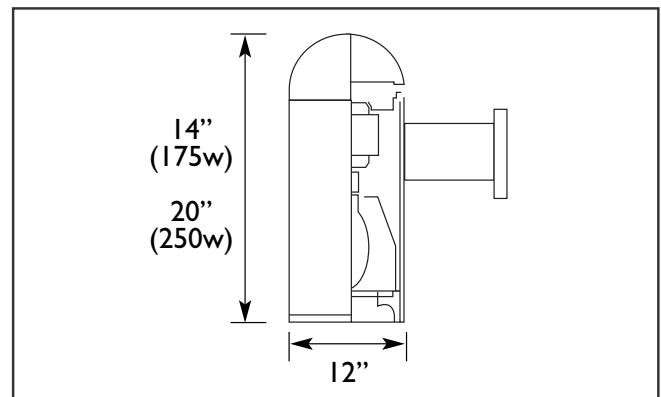
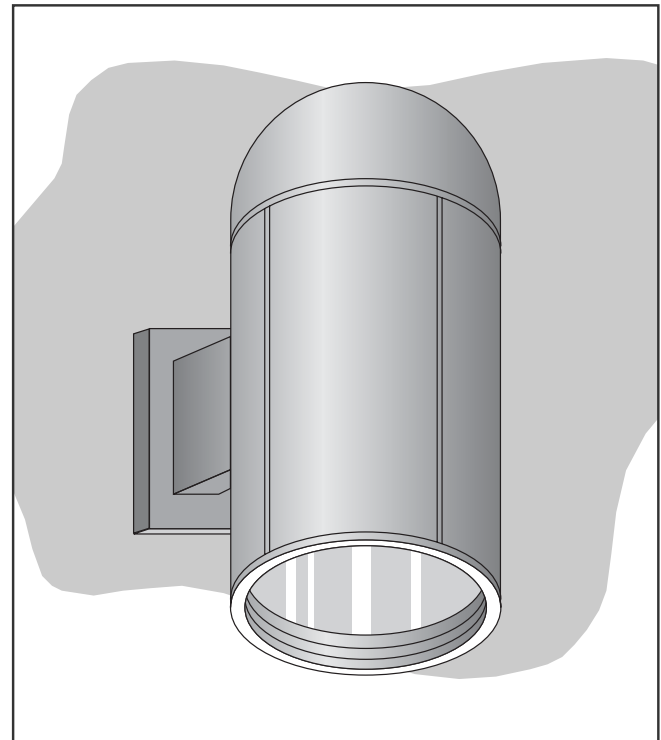
Optical System: Spun aluminum reflector with specular finish is attached to cast frame. Reflector provides a smooth symmetrical distribution.

Mounting Bracket: Extruded aluminum arm is internally welded to the cast back plate. Arm is bolted to housing with two 3/8" bolts. Steel zinc plated bracket mounts to wall surface and is attached to the cast plate with two stainless steel fasteners.

Ballast/Lamp Assembly: All ballast shall have a high power factor and be suitable for -20° F operation. The ballast module is easily removable for maintenance. The lamp socket shall be porcelain medium base pulse-rated for 175 watt and mogul base for 250 watt units.

Finish: Polyester powder coating on all metal parts. Color to be specified.

Listing: Luminaire is ETL listed for wet locations.



Specification Guide

Series	Wattage/Lamp	Volts	Options	Finish
YRD	70w/HPS = I207S	120	1F = Single Fuse	BZ = Bronze
	100w/HPS = I210S	208	2F = Double Fuse	BK = Black
	150w/HPS = I215S	240	PH = Button Cell	WH = White
	250w/HPS = I225S	277	FL = Fresnel Lens	SL = Silver
	70w/MH = I207H	480	PSB = Pulse Start Ballast	CC = Custom Color
	100w/MH = I210H		PDM = Pendant Mount	
	175w/MH = I217H			
	250w/MH = I225H			

Example: 100 Watt, Metal Halide, 120 Volts, Single Fuse, Bronze
YRD-I210H-120/1F/BZ