

Design Features

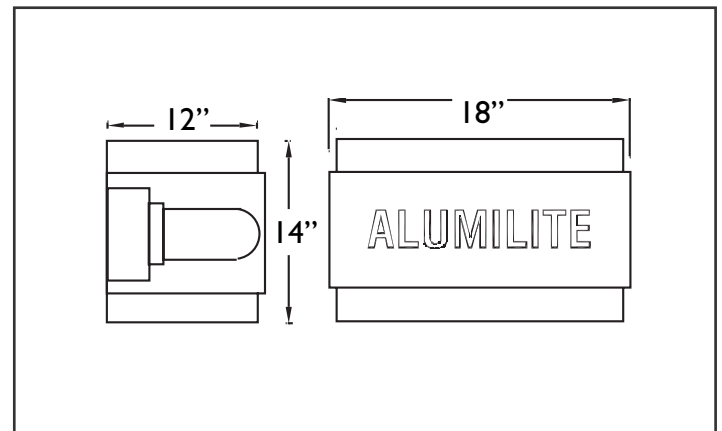
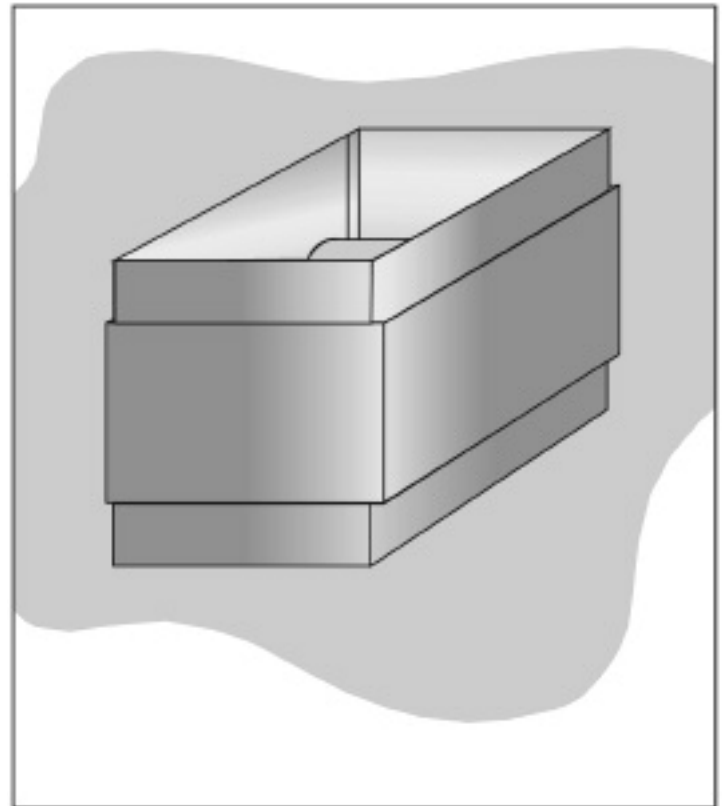
Housing/Accent Bands: Heavy duty aluminum housing with upper and lower accent bands is secured to the wall with two bolts. (Bolts supplied by installer.) Accent bands are available in a different color than the main housing. Specify color of bands if different from housing. For a laser cut logo in the housing, contact a factory representative.

Lens Assembly: Prismatic tempered glass enclosure is standard. Threaded adapter secures the glass and is secured to the ballast compartment cover.

Ballast/Sockets: High power factor ballast is mounted in a cast aluminum housing with a removable access cover. Sockets are pulse-rated medium base for HID ballast.

Finish: Polyester powder coating on all metal parts. Color to be specified.

Listing: Luminaire is ETL listed for wet locations, UL 1598 and Canadian CSA Std. C22.2 No. 250.0.



Specification Guide

Series	Wattage/Lamp	Volts	Options	Finish
ZX-I	26w/PLQ = 26P	120	1F = Single Fuse	BZ = Bronze
	32w/PLT = 32P	208	2F = Double Fuse	BK = Black
	70w/HPS = 07S	240	CL = Custom Logo	WH = White
	100w/HPS = 10S	277		SL = Silver
	70w/MH = 07H	480		CC = Custom Color
	100w/MH = 10H			

Example: 100 Watt, Metal Halide, 120 Volts, Single Fuse, Bronze
ZX-I10H-120/1F/BZ