

## Design Features

**Housing:** The heavy duty spun aluminum shroud with three aluminum disks are provided with dome top cap. The shroud, disk and cap assembly are built as one unit for ease in installation.

**Dome Cap:** The rugged hydroformed aluminum cap with a hemispherical shape rests on the top disk. Cap is threaded to accept the pendant and sealed to prevent water entry when used outdoors.

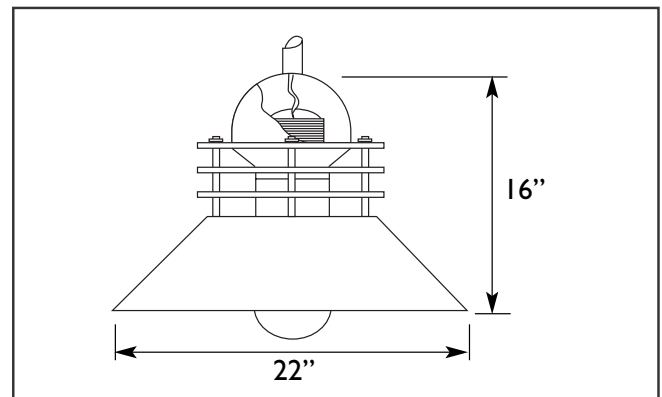
**Enclosure:** A clear glass enclosure with threaded neck is provided as standard. Optional units can be ordered with inside sandblasted or with vertical prismatic ribs. The enclosure is secured to a threaded cast aluminum fitter which is mounted in the dome.

**Pendant Assembly:** Extruded aluminum pendant is threaded for secure fit to dome cap. Pendant is provided with swivel canopy and universal mounting bracket for bolting to J-Box. Pendant length must be specified when ordering.

**Ballast/Lamp Assembly:** All ballast shall be high power factor and suitable for -20° F operation. The ballast is mounted in the dome and secured with two screws. Lamp sockets shall be porcelain medium base pulse-rated and mounted to housing.

**Finish:** Polyester powder coating on all metal parts. Color to be specified.

**Listing:** Luminaire is ETL listed for wet locations.



## Specification Guide

Series	Wattage/Lamp	Volts	Options	Finish
VK-9	70w/HPS = 07S	120	1F = Single Fuse	BZ = Bronze
	100w/HPS = 10S	208	2F = Double Fuse	BK = Black
	150w/HPS = 15S	240	FG = Frosted Glass	WH = White
	70w/MH = 07H	277	PG = Prismatic Glass	SL = Silver
	100w/MH = 10H	480	WM = Wall Mount	CC = Custom Color
	175w/MH = 17H		PM = Pole Mount	
			PSB = Pulse Start Ballast	
			CG = Cast Guard	

**Example:** 100 Watt, Metal Halide, 120 Volts, Single Fuse, Bronze  
**VK-910H-120/1F/BZ**