

## Design Features

**Housing:** The heavy duty spun aluminum shroud is welded to a cast aluminum ring. Three 1/4" blue acrylic disks with luminous edges are machined to securely fit between each ring. Three rods bolt the cast rings and accent disks to the shroud and are capped with decorative stainless steel acorn nuts.

**Dome Cap:** The rugged hydroformed aluminum cap with a hemispherical shape is secured to the cast aluminum ring with 3 stainless steel fasteners. Dome is gasketed to prevent water or insect entry.

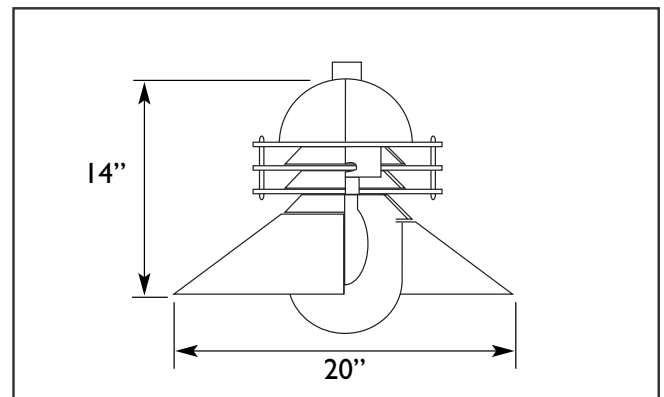
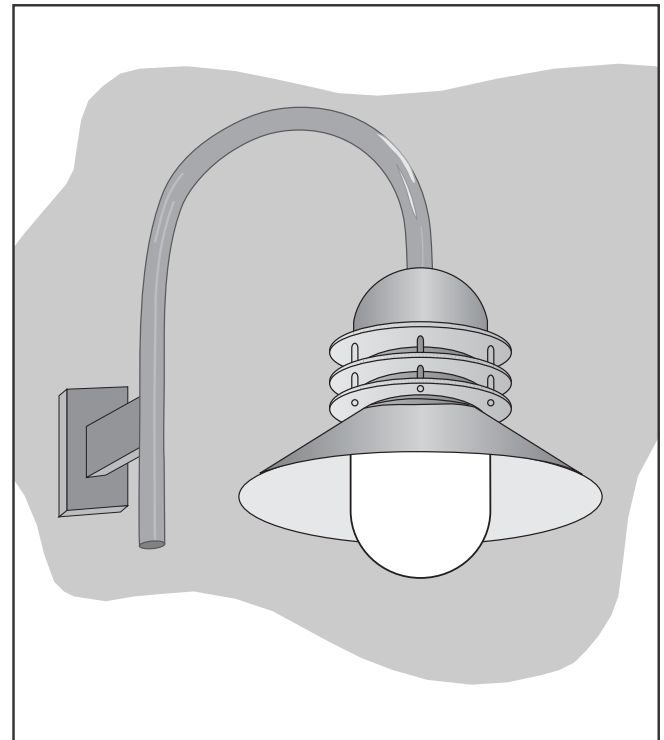
**Enclosure:** An 8" diameter seamless white polycarbonate enclosure is gasketed and secured to a cast ring welded in shroud with two thumb screws.

**Mounting Bracket:** A 2" diameter extruded aluminum arm with 12" radius bend is welded to cast back plate. Arm slips over the tenon on cap and is secured with 3 stainless steel fasteners. A heavy duty steel zinc plated bracket mounts to the J-Box and wall surface and is attached to the inside of cast plate with two stainless steel fasteners. Direct mount to pole is optional. "PM"

**Ballast/Lamp Assembly:** All ballast shall be high power factor and suitable for -20° F operation. The ballast is mounted in the dome and secured with two screws. Lamp sockets shall be porcelain medium base pulse-rated and mounted to housing.

**Finish:** Polyester powder coating on all metal parts. Color to be specified.

**Listing:** Luminaire is ETL listed for wet locations.



## Specification Guide

| Series | Wattage/Lamp   | Volts | Options                   | Finish            |
|--------|----------------|-------|---------------------------|-------------------|
| VK-7   | 50w/HPS = 05S  | 120   | 1F = Single Fuse          | BZ = Bronze       |
|        | 70w/HPS = 07S  | 208   | 2F = Double Fuse          | BK = Black        |
|        | 100w/HPS = 10S | 240   | PH = Button Cell          | WH = White        |
|        | 150w/HPS = 15S | 277   | PM = Pole Mount           | SL = Silver       |
|        | 70w/MH = 07H   | 480   | PSB = Pulse Start Ballast | CC = Custom Color |
|        | 100w/MH = 10H  |       |                           |                   |
|        | 175w/MH = 17H  |       |                           |                   |

**Example:** 100 Watt, Metal Halide, 120 Volts, Single Fuse, Bronze  
**VK-710H-120/1F/BZ**