

Design Features

Housing: A heavy duty spun aluminum shroud with three aluminum disks is provided with dome top cap. The shroud, disk and cap are built as one unit for ease in installation.

Dome Cap: The rugged hydroformed aluminum cap with a hemispherical shape rests on the top disk. Cap is threaded to accept the pendant and sealed to prevent water entry when used outdoors.

Disk Assembly: Three heavy gauge aluminum disks are secured in position with three satin aluminum spacers and internal tie rods.

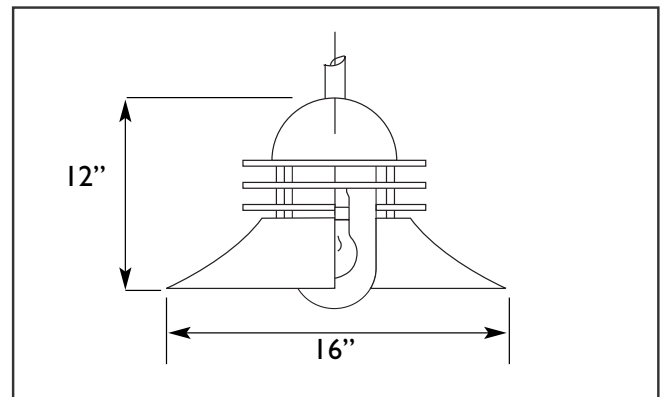
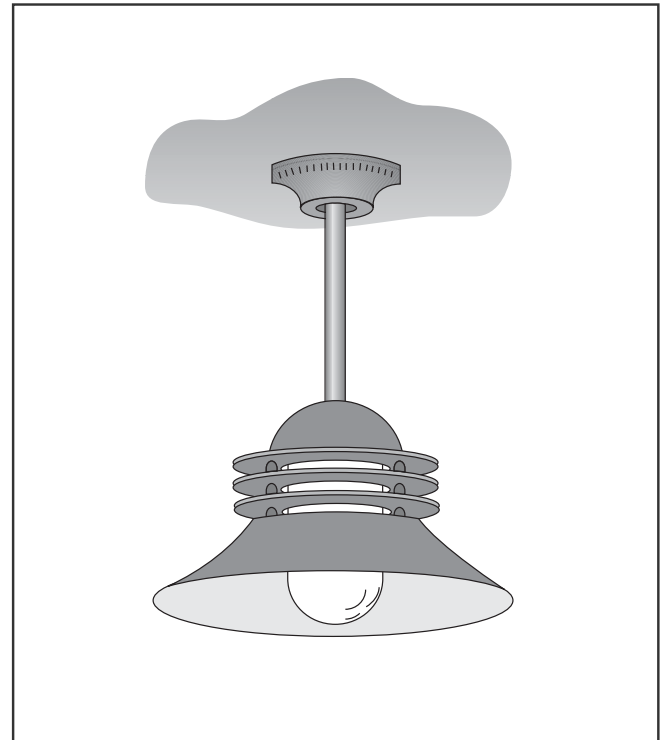
Enclosure: A clear glass enclosure with threaded neck is provided as standard. Optional units can be ordered with outside sandblasted or with vertical prismatic ribs. The enclosure is secured to a threaded cast aluminum fitter which is mounted in the dome.

Pendant Assembly: Extruded aluminum pendant is threaded for secure fit to dome cap. Pendant is provided with swivel canopy and universal mounting bracket for bolting to J-Box. Pendant length must be specified when ordering.

Ballast/Lamp Assembly: HID ballast shall have a high power factor. Fluorescent ballast shall be electronic dual voltage. HID sockets shall be porcelain, medium base and pulse-rated.

Finish: Polyester powder coating on all metal parts. Color to be specified.

Listing: Luminaire is ETL listed for wet locations.



Specification Guide

Series	Wattage/Lamp	Volts	Pendant	Options	Finish
VK-3	200w/INC = 20I	120	12"	FG = Frosted Glass	BZ = Bronze
	26w/PLT = 26P	277	24"	PG = Prismatic Glass	BK = Black
	32w/PLT = 32P		30"	WM = Wall Mount	WH = White
	42w/PLT = 42P		36"	*BB = Ballast Box	SL = Silver
	50w/HPS = 05S*		Other	for HID Lamps	CC = Custom Color
	70w/HPS = 07S*			Max 70 watts	
	50w/MH = 05H*			CG = Cast Guard	
	70w/MH = 07H*				

Example: 100 Watt, Incandescent, 120 Volts, 12", Frosted Glass, Bronze
VK-3101-120/12"/FG/BZ