

VK 2300 Series



Design Features

Housing: A heavy duty spun aluminum shroud with clear accent window and three aluminum disks is secured to dome with three internal stainless steel rods.

Dome Cap: The hydroformed aluminum dome is secured to housing and arm with stainless steel fasteners.

Lens Assembly: Clear tempered glass lens is gasketed and secured to aluminum frame with four fasteners. Frame is hinged and secured to the housing with four stainless steel screws.

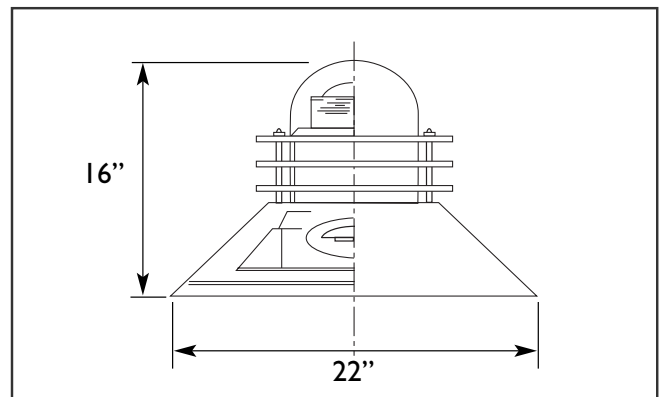
Optical Assembly: Specular segmented reflector is available in a symmetrical or asymmetrical distributions.

Mounting Bracket: A 2" diameter extruded aluminum arm with 12" radius bend is welded to cast back plate. Arm slips over the tenon on cap and is secured with 3 stainless steel fasteners. A heavy duty steel zinc plated bracket mounts to the J-Box and wall surface and is attached to the inside of cast plate with two stainless steel fasteners. Direct mount to pole is optional. "PM"

Ballast/Lamp Assembly: All ballast shall be high power factor and suitable for -20° operation. The ballast is mounted in the dome and is secured with two screws. Lamp socket shall be porcelain and pulse-rated as required.

Finish: Polyester powder coating on all metal parts. Color to be specified.

Listing: Luminaire is ETL listed for wet locations.



Specification Guide

Series	Wattage/Lamp	Volts	Options	Finish
VK-23	50w/HPS = 05S	120	1F = Single Fuse	BZ = Bronze
	70w/HPS = 07S	208	2F = Double Fuse	BK = Black
	100w/HPS = 10S	240	PM = Pole Mount	WH = White
	150w/HPS = 15S	277	SY = Symmetric	SL = Silver
	70w/MH = 07H	480	AY = Asymmetric	CC = Custom Color
	100w/MH = 10H		PDM = Pendant Mount	
	175w/MH = 17H			

Example: 100 Watt, Metal Halide, 120 Volts, Single Fuse, Bronze
VK-2310H-120/1F/BZ