

VK 200 Series



Design Features

Housing: A heavy duty spun aluminum shroud with three aluminum disks is provided with dome top cap. The shroud, disk, cap and arm assembly are built as one unit for ease in installation.

Dome Cap: The rugged hydroformed aluminum cap with a hemispherical shape rests on the top disk. Cap is welded to the mounting arm and to the housing assembly.

Disk Assembly: Three heavy gauge aluminum disks are secured in position with three satin aluminum spacers and internal tie rods.

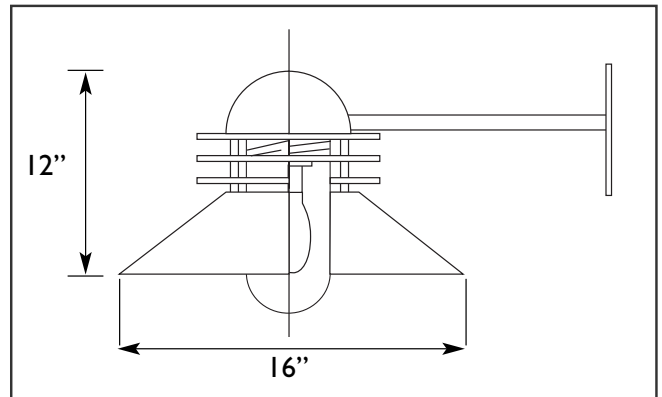
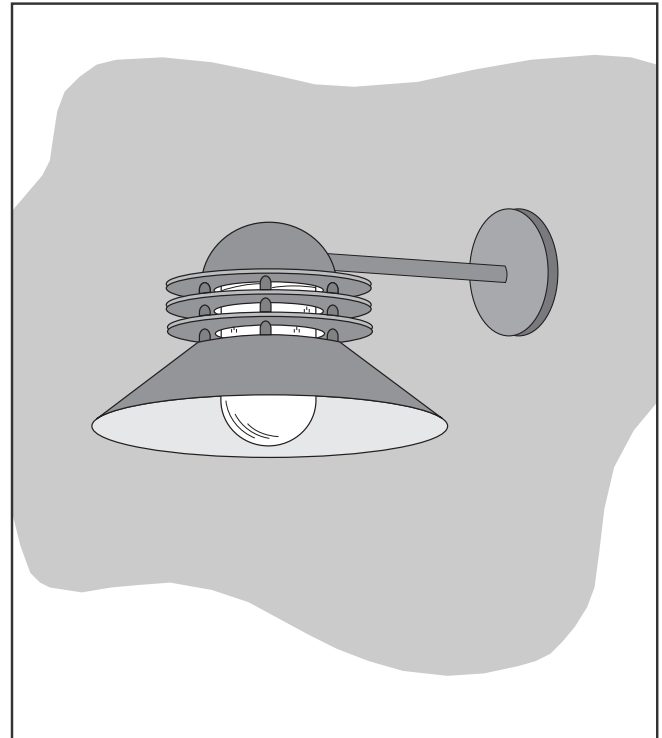
Enclosure: A clear glass enclosure with threaded neck is provided as standard. Optional units can be ordered with outside sandblasted or with vertical prismatic ribs. The enclosure is secured to a threaded cast aluminum fitter which is mounted in the dome.

Mounting Bracket: Extruded aluminum arm is internally welded to the cast aluminum mounting plate and to the dome cap. The mounting plate bolts directly to the J-Box with two stainless steel fasteners.

Ballast/Lamp Assembly: HID ballast shall have a high power factor. Fluorescent ballast shall be electronic dual voltage. HID sockets shall be porcelain, medium base and pulse-rated.

Finish: Polyester powder coating on all metal parts. Color to be specified.

Listing: Luminaire is ETL listed for wet locations.



Specification Guide

Series	Wattage/Lamp	Volts	Options	Finish
VK-2	200w/INC = 20I	120	FG = Frosted Glass PG = Prismatic Glass PDM = Pendant Mount *BB = Ballast Box for HID Lamps Max 70 Watts CG = Cast Guard	BZ = Bronze BK = Black WH = White SL = Silver CC = Custom Color
	26w/PLT = 26P			
	32w/PLT = 32P			
	42w/PLT = 42P			
	50w/HPS = 05S*			
	70w/HPS = 07S*			
	50w/MH = 05H*			
70w/MH = 07H*				

Example: 100 Watt, Incandescent, 120 Volts, Frosted Glass, Bronze
VK-2101-120/FG/BZ