

Design Features

Housing: A heavy duty spun aluminum shroud with clear upper accent lens and dome top is built as a complete unit for ease in installation.

Dome Cap: The rugged hydroformed aluminum dome houses ballast assembly. It is secured to the housing with three internal rods. The dome is threaded for attachment of pendant.

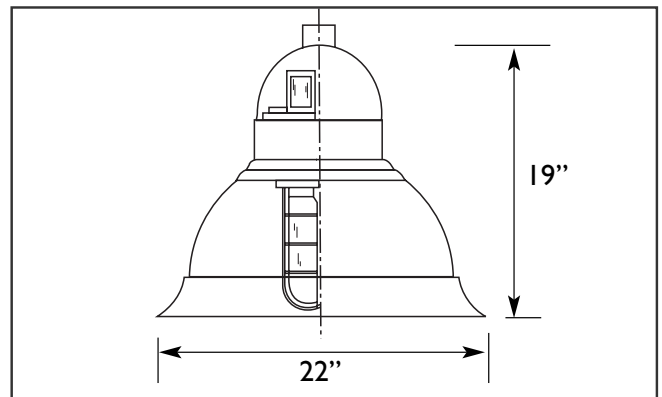
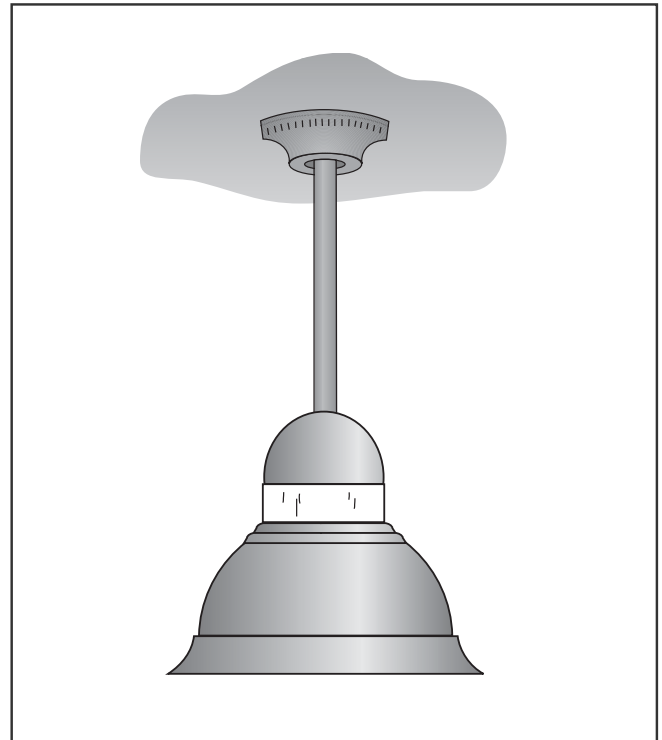
Enclosure: Prismatic tempered glass lens threads into cast aluminum adapter which is mounted to the shroud. Aluminum guard covers the lens assembly and attaches to the threaded neck.

Pendant Assembly: Extruded aluminum pendant is threaded for secure fit to dome cap. Pendant is provided with swivel canopy and universal mounting bracket for bolting to J-Box. Pendant length must be specified when ordering.

Ballast/Lamp Assembly: All ballast shall be high power factor and suitable for -20° operation. The ballast is mounted in the dome and is secured with two screws. Lamp sockets shall be porcelain pulse-rated medium base and mounted to cast fitter.

Finish: Polyester powder coating on all metal parts. Color to be specified.

Listing: Luminaire is ETL listed for wet locations.



Specification Guide

Series	Wattage/Lamp	Volts	Options	Finish
VK-20	70w/MH = 07H	120	1F = Single Fuse	BZ = Bronze
	100w/MH = 10H	208	2F = Double Fuse	BK = Black
	175w/MH = 17H	240	WM = Wall Mount	WH = White
	70w/HPS = 07S	277	PSB = Pulse Start Ballast	SL = Silver
	100w/HPS = 10S	480	FG = Frosted Glass	CC = Custom Color
	150w/HPS = 15S		CLG = Clear Glass	
			PM = Pole Mount	

Example: 100 Watt, Metal Halide, 120 Volts, Single Fuse, Bronze
VK-2010H-120/1F/BZ