

## Design Features

**Housing:** A heavy duty spun aluminum shroud with three aluminum disks are provided with dome top cap. The shroud, disk and cap assembly are built as one unit for ease in installation.

**Dome Cap:** The rugged hydroformed aluminum cap with a hemispherical shape rests on the top disk. Cap is threaded to accept the pendant and sealed to prevent water entry when used outdoors.

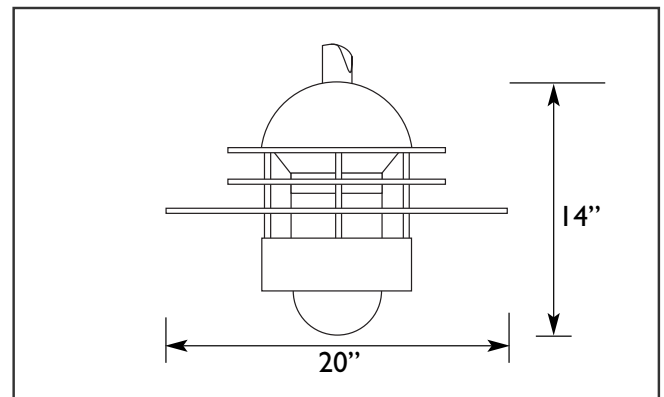
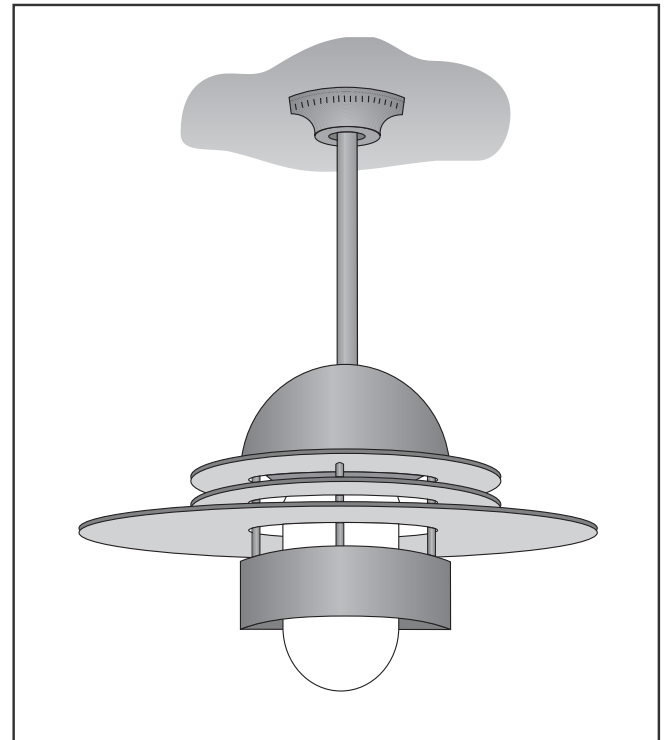
**Enclosure:** A clear glass enclosure with threaded neck is provided as standard. Optional units can be ordered with inside sandblasted or with vertical prismatic ribs. The enclosure is secured to a threaded cast aluminum fitter which is mounted in the dome.

**Pendant Assembly:** Extruded aluminum pendant is threaded for secure fit to dome cap. Pendant is provided with swivel canopy and universal mounting bracket for bolting to J-Box. Pendant length must be specified when ordering.

**Ballast/Lamp Assembly:** HID ballast shall have a high power factor. Fluorescent ballast shall be electronic dual voltage. HID sockets shall be porcelain, medium base and pulse-rated.

**Finish:** Polyester powder coating on all metal parts. Color to be specified.

**Listing:** Luminaire is ETL listed for wet locations.



## Specification Guide

Series	Wattage/Lamp	Volts	Options	Finish
VK-19	26w/PLQ = 26P	120	1F = Single Fuse	BZ = Bronze
	32w/PLT = 32P	208	2F = Double Fuse	BK = Black
	42w/PLT = 42P	240	FG = Frosted Glass	WH = White
	70w/MH = 07H	277	PG = Prismatic Glass	SL = Silver
	100w/MH = 10H	480	PSB = Pulse Start Ballast	CC = Custom Color
	175w/MH = 17H		WM = Wall Mount	
	70w/HPS = 07S		PM = Pole Mount	
	100w/HPS = 10S		CG = Cast Guard	
150w/HPS = 15S				

**Example:** 100 Watt, Metal Halide, 120 Volts, Single Fuse, Bronze  
**VK-1910H-120/1F/BZ**