

# VK 1800 Series



## Design Features

**Housing:** A heavy duty aluminum shroud with upper accent window is attached to the dome with three stainless steel tie-rods.

**Dome Cap:** The rugged hydroformed aluminum dome houses ballast assembly and is secured to the arm with a single through bolt.

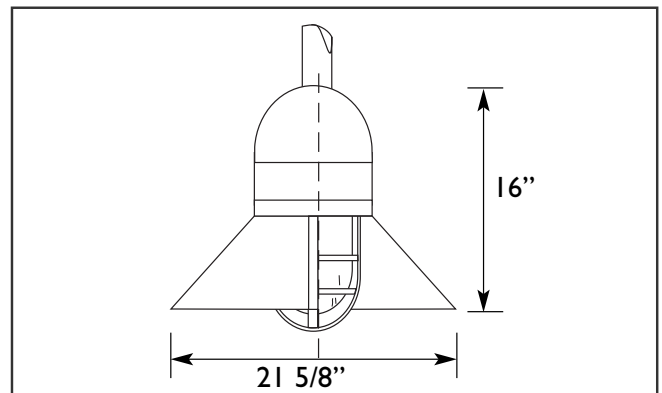
**Enclosure:** Prismatic tempered glass lens is threaded into a cast fitter. Cast aluminum guard is secured with two set screws.

**Mounting Bracket:** A 2" diameter aluminum arm with 12" radius bend is welded to pole slipfitter. Arm slips over the tenon on cap and is secured with 3 stainless steel fasteners. For wall mounting, a heavy duty steel zinc plated bracket mounts to the J-Box and wall surface and is attached to the cast plate with two stainless steel fasteners.

**Ballast/Lamp Assembly:** All ballast shall be high power factor and suitable for -20° operation. The ballast is mounted in the dome and is secured with two screws. Lamp sockets shall be porcelain pulse-rated medium base and mounted to the shroud.

**Finish:** Polyester powder coating on all metal parts. Color to be specified.

**Listing:** Luminaire is ETL listed for wet locations.



## Specification Guide

Series	Wattage/Lamp	Volts	Options	Finish
VK-18	70w/MH = 07H	120	1F = Single Fuse	BZ = Bronze
	100w/MH = 10H	208	2F = Double Fuse	BK = Black
	175w/MH = 17H	240	WM = Wall Mount	WH = White
	70w/HPS = 07S	277	FG = Frosted Glass	SL = Silver
	100w/HPS = 10S	480	CLG = Clear Glass	CC = Custom Color
	150w/HPS = 15S		PSB = Pulse Start Ballast	
			PDM = Pendant Mount	

**Example:** 100 Watt, Metal Halide, 120 Volts, Single Fuse, Bronze  
**VK-1810H-120/1F/BZ**