

## Design Features

**Housing:** A heavy duty aluminum disk is attached to the dome and perforated metal shield with three stainless steel rods and decorative acorn nuts.

**Dome Cap:** The rugged hydroformed aluminum dome houses ballast assembly. Dome is threaded for pendant attachment.

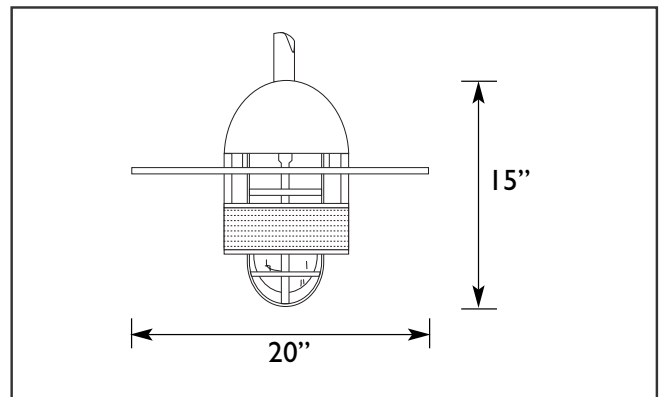
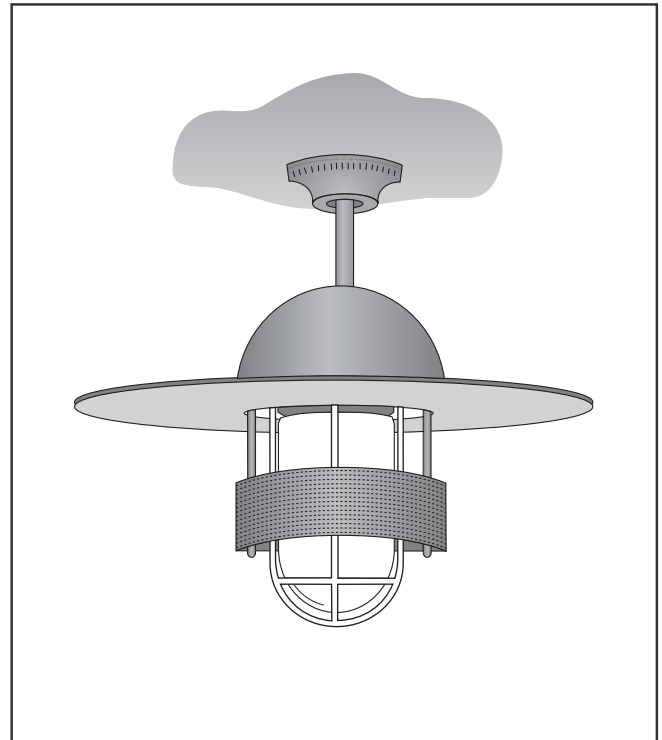
**Enclosure:** Prismatic tempered glass lens threads into cast aluminum adapter which is mounted to the shroud and provided with a cast aluminum guard.

**Pendant Assembly:** Extruded aluminum pendant is threaded for secure fit to dome cap. Pendant is provided with swivel canopy and universal mounting bracket for bolting to J-Box. Pendant length must be specified when ordering.

**Ballast/Lamp Assembly:** HID ballast shall have a high power factor. Fluorescent ballast shall be electronic dual voltage. HID sockets shall be porcelain, medium base and pulse-rated.

**Finish:** Polyester powder coating on all metal parts. Color to be specified.

**Listing:** Luminaire is ETL listed for wet locations.



## Specification Guide

Series	Wattage/Lamp	Volts	Options	Finish
VK-16	26w/PLQ = 26P	120	1F = Single Fuse	BZ = Bronze
	32w/PLT = 32P	208	2F = Double Fuse	BK = Black
	42w/PLT = 42P	240	WM = Wall Mount	WH = White
	70w/MH = 07H	277	PM = Pole Mount	SL = Silver
	100w/MH = 10H	480	FG = Frosted Glass	CC = Custom Color
	175w/MH = 17H		CLG = Clear Glass	
	70w/HPS = 07S		PSB = Pulse Start Ballast	
	100w/HPS = 10S			
	150w/HPS = 15S			

**Example:** 100 Watt, Metal Halide, 120 Volts, Single Fuse, Bronze  
**VK-1610H-120/1F/BZ**