

## Design Features

**Housing:** A heavy duty aluminum shroud with upper accent window is attached to the dome with three stainless steel tie-rods.

**Dome Cap:** The rugged hydroformed aluminum dome houses ballast assembly and is secured to the arm with a stainless steel hardware.

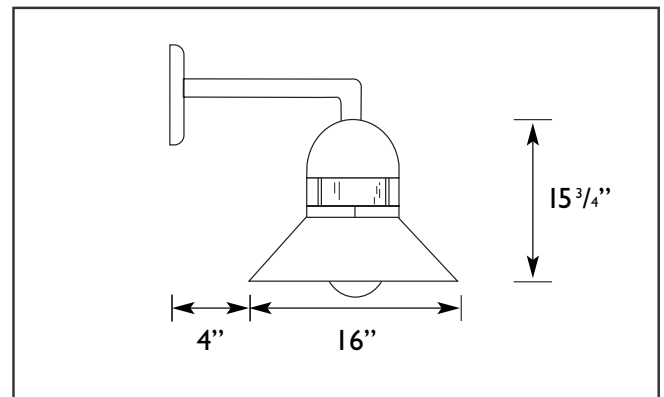
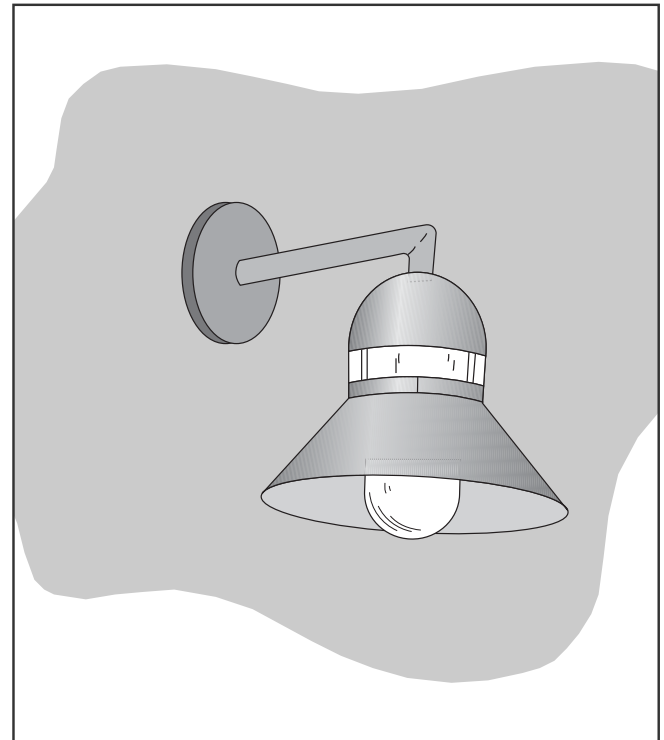
**Enclosure:** Opal frosted glass lens is threaded into a cast fitter which is welded to the shroud.

**Decorative Arm:** Extruded aluminum arm is welded to the cast cover plate which bolts to a zinc plated mounting plate with three stainless steel fasteners.

**Ballast/Lamp Assembly:** HID ballast shall have a high power factor. Fluorescent ballast shall be electronic dual voltage. HID sockets shall be porcelain, medium base and pulse-rated.

**Finish:** Polyester powder coating on all metal parts. Color to be specified.

**Listing:** Luminaire is ETL listed for wet locations.



## Specification Guide

Series	Wattage/Lamp	Volts	Options	Finish
VK-14	26w/PLQ = 26P	120	IF = Single Fuse	BZ = Bronze
	32w/PLT = 32P	208	2F = Double Fuse	BK = Black
	42w/PLT = 42P	240	PDM = Pendant Mount	WH = White
	70w/MH = 07H	277	PG = Prismatic Glass	SL = Silver
	100w/MH = 10H	480	CLG = Clear Glass	CC = Custom Color
	175w/MH = 17H		PSB = Pulse Start Ballast	
	70w/HPS = 07S		CG = Cast Guard	
	100w/HPS = 10S			
	150w/HPS = 15S			

**Example:** 100 Watt, Metal Halide, 120 Volts, Single Fuse, Bronze  
**VK-1410H-120/IF/BZ**