

Design Features

Housing: A heavy duty spun aluminum shroud with three spun aluminum louvers is provided with dome top cap.

Dome Cap: The rugged hydroformed aluminum dome houses ballast assembly. It is secured to louvered housing with three internal rods. The dome is threaded for attachment of pendant.

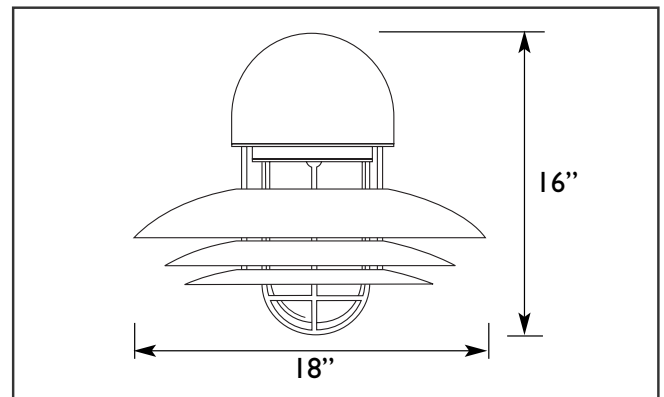
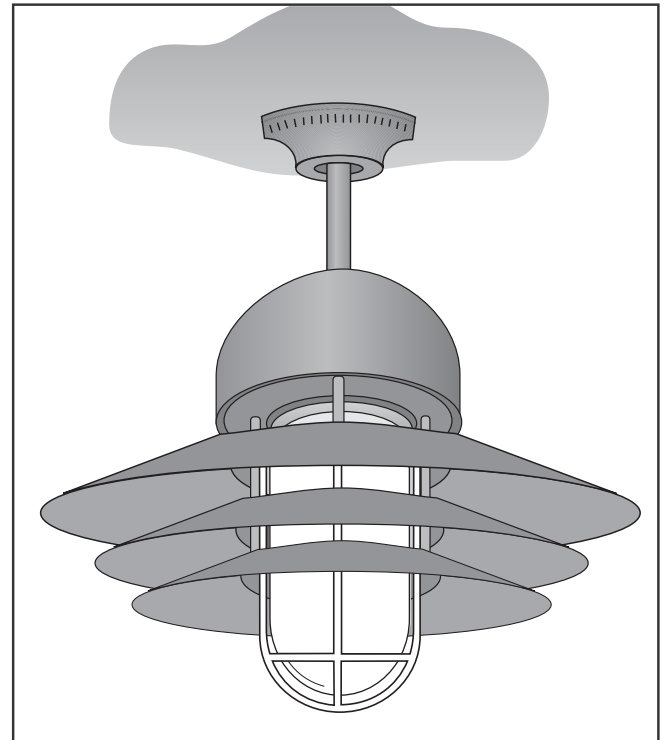
Enclosure: Prismatic tempered glass lens threads into cast aluminum adapter for ease in lamp replacement. Aluminum guard covers the lens assembly and attaches to the threaded neck.

Pendant Assembly: Extruded aluminum pendant is threaded for secure fit to dome cap. Pendant is provided with swivel canopy and universal mounting bracket for bolting to J-Box. Pendant length must be specified when ordering.

Ballast/Lamp Assembly: HID ballast shall have a high power factor. Fluorescent ballast shall be electronic dual voltage. HID sockets shall be porcelain, medium base and pulse-rated.

Finish: Polyester powder coating on all metal parts. Color to be specified.

Listing: Luminaire is ETL listed for wet locations.



Specification Guide

Series	Wattage/Lamp	Volts	Options	Finish
VK-12	26w/PLQ = 26P	120	1F = Single Fuse	BZ = Bronze
	32w/PLT = 32P	240	2F = Double Fuse	BK = Black
	42w/PLT = 42P	277	FG = Frosted Glass	WH = White
	70w/MH = 07H	480	CLG = Clear Glass	SL = Silver
	100w/MH = 10H		WM = Wall Mount	CC = Custom Color
	175w/MH = 17H	PM = Pole Mount		
	70w/HPS = 07S		PSB = Pulse Start Ballast	
	100w/HPS = 10S			
	150w/HPS = 15S			

Example: 100 Watt, Metal Halide, 120 Volts, Single Fuse, Bronze
VK-1210H-120/1F/BZ