

Design Features

Housing: The heavy duty spun aluminum shroud and upper thorax is produced as one unit. The thorax is the compartment for installing the ballast and mounting the enclosure assembly. The top of the spun housing is regressed to accept the dome cap and maintain the one-piece appearance.

Dome Cap: The rugged hydroformed aluminum cap with a hemispherical shape rests on the regressed raised edge of the housing. This design prevents water from entering the unit. The dome top is secured with a single stainless steel tamperproof fastener.

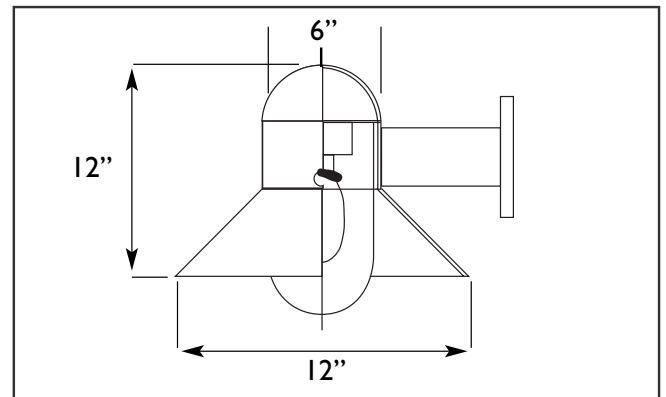
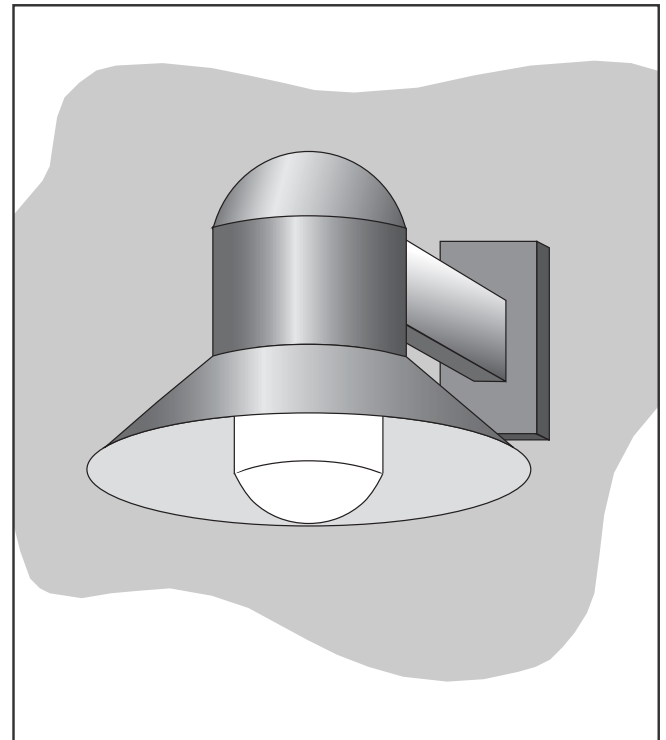
Enclosure: A clear glass enclosure with threaded neck is provided as standard. Optional units can be ordered with inside sandblasted or with vertical prismatic ribs. The enclosure is secured to a threaded cast aluminum fitter which is mounted in the thorax.

Mounting Bracket: Extruded aluminum arm is internally welded to cast back plate. Arm is bolted to housing with two 3/8" bolts. A heavy duty steel zinc plated bracket mounts to the J-Box and wall surface and is attached to the cast plate with two stainless steel fasteners.

Ballast/Lamp Assembly: HID ballast shall have a high power factor. Fluorescent ballast shall be electronic dual voltage. HID sockets shall be porcelain, medium base and pulse-rated.

Finish: Polyester powder coating on all metal parts. Color to be specified.

Listing: Luminaire is ETL listed for wet locations.



Specification Guide

Series	Wattage/Lamp	Volts	Options	Finish
VK-1	100w/INC = 20I	120	FG = Frosted Glass PG = Prismatic Glass PH = Button Cell PDM = Pendant Mount CG = Cast Guard	BZ = Bronze BK = Black WH = White SL = Silver CC = Custom Color
	26w/PLT = 26P			
	32w/PLT = 32P			
	42w/PLT = 42P			
	50w/HPS = 05S			
	70w/HPS = 07S			
	50w/MH = 05H			
	70w/MH = 07H			

Example: 50 Watt, Metal Halide, 120 Volts, Frosted Glass, Bronze

VK-105H-120/FG/BZ