

Design Features

Housing: The heavy spun aluminum shroud with one aluminum disk is provided with dome cap. The shroud, disk and cap assembly are built as one unit for ease in installation.

Dome Cap: The rugged hydroformed aluminum cap with a hemispherical shape rests on the thorax.

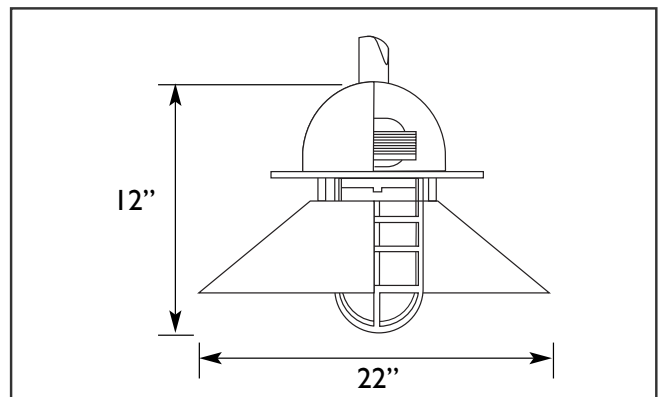
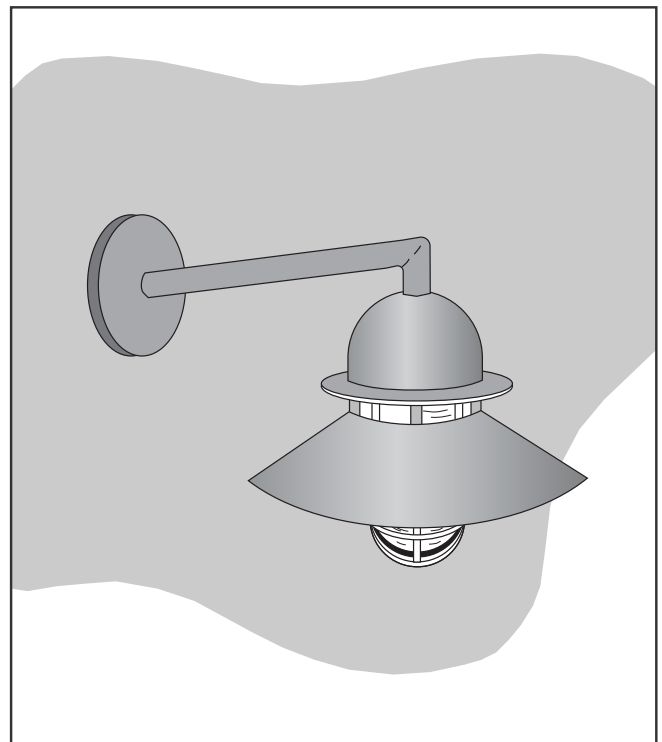
Enclosure: A clear glass enclosure with threaded neck is provided as standard. Aluminum guard covers the lens assembly and attaches to the threaded neck.

Mounting Bracket: 2" diameter aluminum arm is welded to cast plate and secured to dome with three (3) flush stainless steel screws. Plate mounts to J-Box. Optional pendant mounting is available.

Ballast/Lamp Assembly: All ballast shall be high power factor and suitable for -20° F operation. The ballast is mounted in the dome and secured with two screws. Lamp sockets shall be porcelain medium base pulse-rated and mounted to housing.

Finish: Polyester powder coating on all metal parts. Color to be specified.

Listing: Luminaire is ETL listed for wet locations.



Specification Guide

Series	Wattage/Lamp	Volts	Options	Finish
VK-10	50w/HPS = 05S	120	1F = Single Fuse	BZ = Bronze
	70w/HPS = 07S	208	2F = Double Fuse	BK = Black
	100w/HPS = 10S	240	PH = Button Cell	WH = White
	150w/HPS = 15S	277	PDM = Pendant Mount	SL = Silver
	70w/MH = 07H	480	Specify Length	CC = Custom Color
	100w/MH = 10H		FG = Frosted Glass	
	175w/MH = 17H		PG = Prismatic Glass	
			PSB = Pulse Start Ballast	

Example: 100 Watt, Metal Halide, 120 Volts, Single Fuse, Bronze
VK-1010H-120/1F/BZ