

## Design Features

**Housing:** Heavy gauge spun aluminum shroud is internally welded to a back plate. A decorative aluminum band is welded to the housing. The housing mounts to a j-box or directly to the wall.

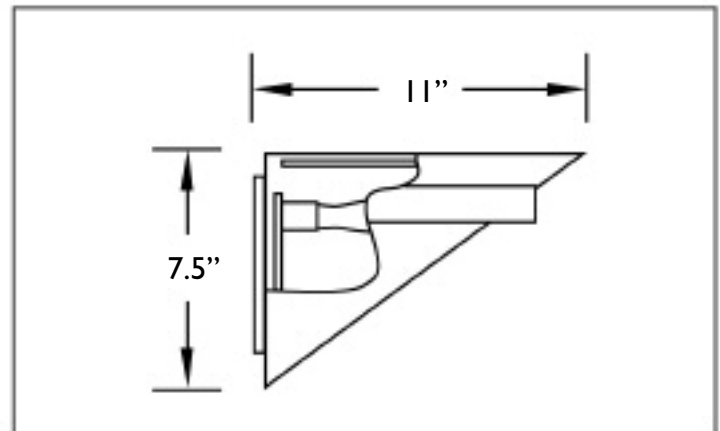
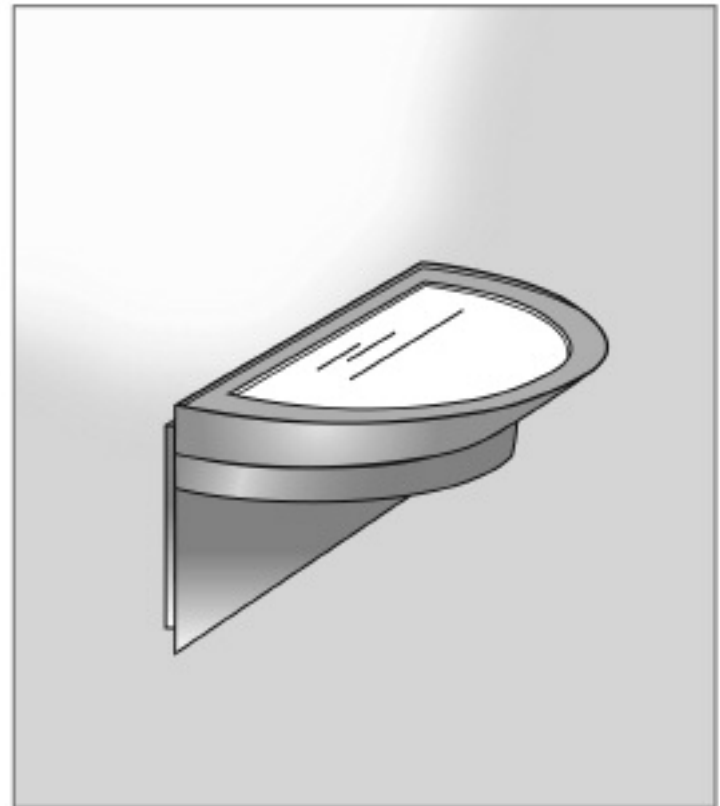
**Lens Assembly:** Clear tempered glass lens is gasketed and attached to the aluminum door frame and secured with stainless steel screws.

**Reflector:** Specular aluminum reflector with a hammertone finish provides a smooth symmetrical distribution.

**Ballast/Lamp Assembly:** All HID ballast shall be high power factor and remote mounted. Electronic ballast are provided for compact fluorescent lamps. HID sockets shall be porcelain, medium base and pulse-rated.

**Finish:** Polyester powder coating on all metal parts. Color to be specified.

**Listing:** Luminaire is ETL listed for dry locations.



## Specification Guide

Series	Wattage/Lamp	Volts	Options	Finish
SU-1	26w/PLQ = 26P	120	1F = Single Fuse 2F = Double Fuse	BZ = Bronze BK = Black WH = White SL = Silver CC = Custom Color
	32w/PLT = 32P	208		
	42w/PLT = 42P	240		
	70w/MH = 07H	277		
	100w/MH = 10H			
	175w/MH = 17H			

**Example:** 100 Watt, Metal Halide, 120 Volts, Single Fuse, Bronze  
**SU-110H-120/1F/BZ**