

Design Features

Housing: Spun aluminum shroud is threaded for 3/4" arm bracket.

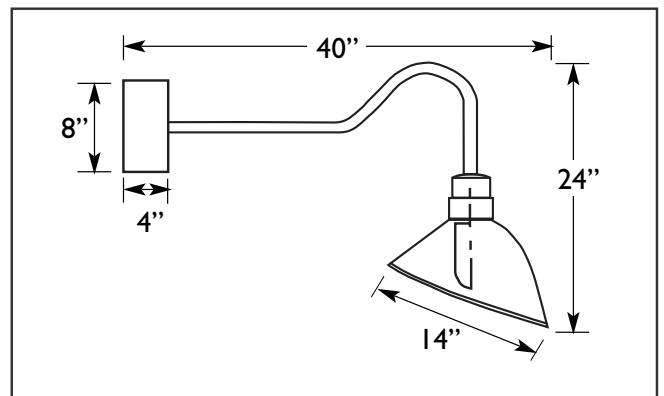
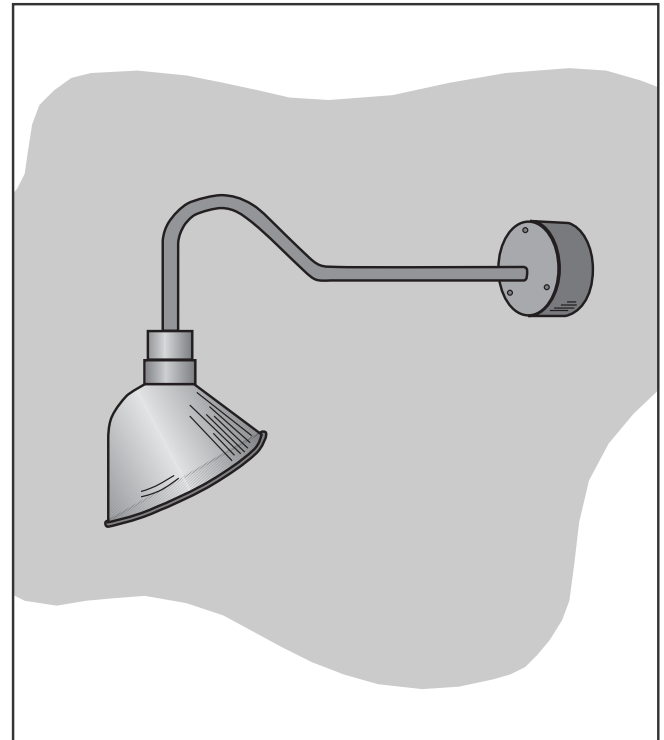
Enclosure: Prismatic tempered glass threads into cast aluminum adapter which is mounted to the shroud.

Bracket: Threaded 3/4" aluminum arm supports the housing and is secured to the ballast box cover plate with a heavy duty nut.

Ballast/Socket: HID ballast shall have a high power factor. Fluorescent ballast will be electronic and multi-volt. HID and incandescent sockets are porcelain pulse-rated.

Finish: Polyester powder coating on all metal parts. Color to be specified.

Listing: Luminaire is ETL listed for wet locations.



Specification Guide

Series	Wattage/Lamp	Volts	Options	Finish
AR-14	100w/INC = 10I	120	IF = Single Fuse	BZ = Bronze
	26w/PLQ = 26P	208	2F = Double Fuse	BK = Black
	32w/PLT = 32P	240	FG = Frosted Glass	WH = White
	42w/PLT = 42P	277	CG = Clear Glass	SL = Silver
	70w/HPS = 07S	480	PH = Button Cell	CC = Custom Color
	100w/HPS = 10S			
	70w/MH = 07H			
	100w/MH = 10H			

Example: 100 Watt, Metal Halide, 120 Volts, Single Fuse, Bronze
AR1410H-120/IF/BZ