

Design Features

Housing: Heavy gauge aluminum housing is curved with lens frame internally welded in place. Housing secures to the mounting plate with four stainless steel fasteners.

Lens: Clear tempered glass is secured to the housing with three retaining clips. Optional frosted side lens available. "FSL"

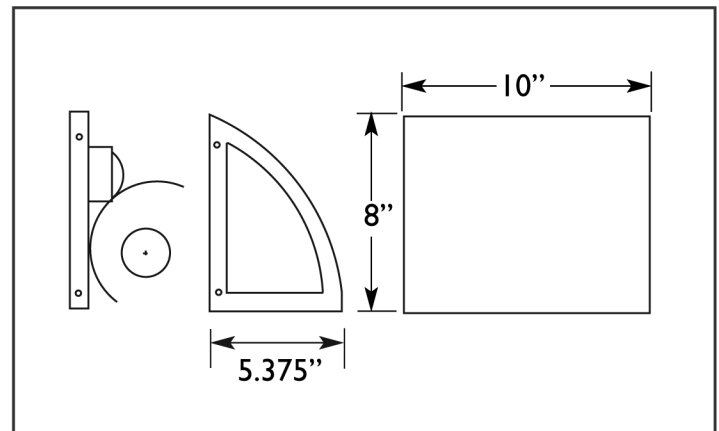
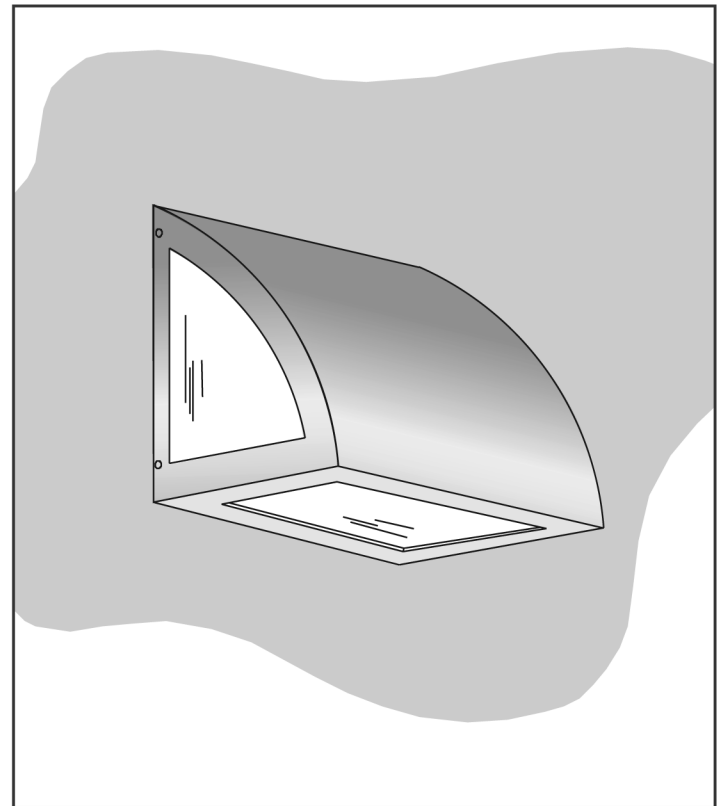
Optical System: Segmented reflector assembly combines specular and hammertone aluminum to produce a smooth forward throw distribution.

Mounting Plate: Heavy gauge .125 wall aluminum plates bolt to the wall. Ballast module and housing are attached to the plate.

Ballast/Lamp Assembly: Electronic ballast are multi-volt and provided with universal socket for wattages from 26 to 42 watts.

Finish: Polyester powder coating on all metal parts. Color to be specified.

Listing: Luminaire is ETL listed for wet locations, UL 1598 and Canadian CSA Std. C22.2 No. 250.0.



Specification Guide

Series	Wattage/Lamp	Volts	Options	Finish
SX-2	26w/PLQ = 26P	120	IF = Single Fuse	BZ = Bronze
	32w/PLT = 32P	208	2F = Double Fuse	BK = Black
	42w/PLT = 42P	240	PH = Button Cell	WH = White
		277	UM = Up Mount FSL = Frosted Side Lens	SL = Silver CC = Custom Color

Example: 32 Watt, Compact Fluorescent, 120 Volts, Frosted Side Lens, Bronze
SX-232P-120/FSL/BZ