

Design Features

Housing: Heavy gauge cast aluminum housing is secured to the ballast compartment with two stainless steel bolts. Housing is field adjustable from zero to ten degrees by loosening two exterior fasteners.

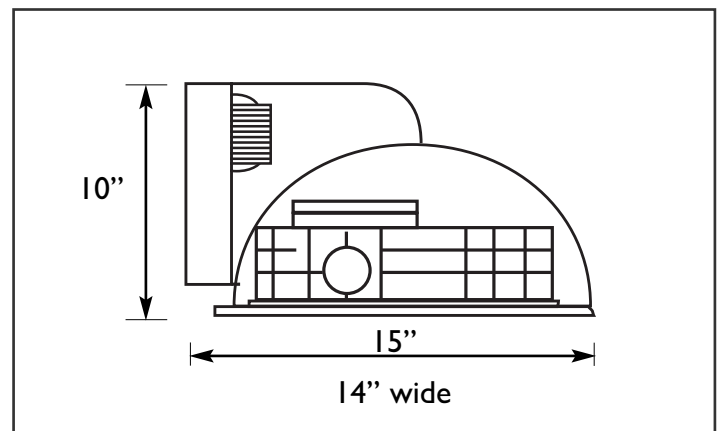
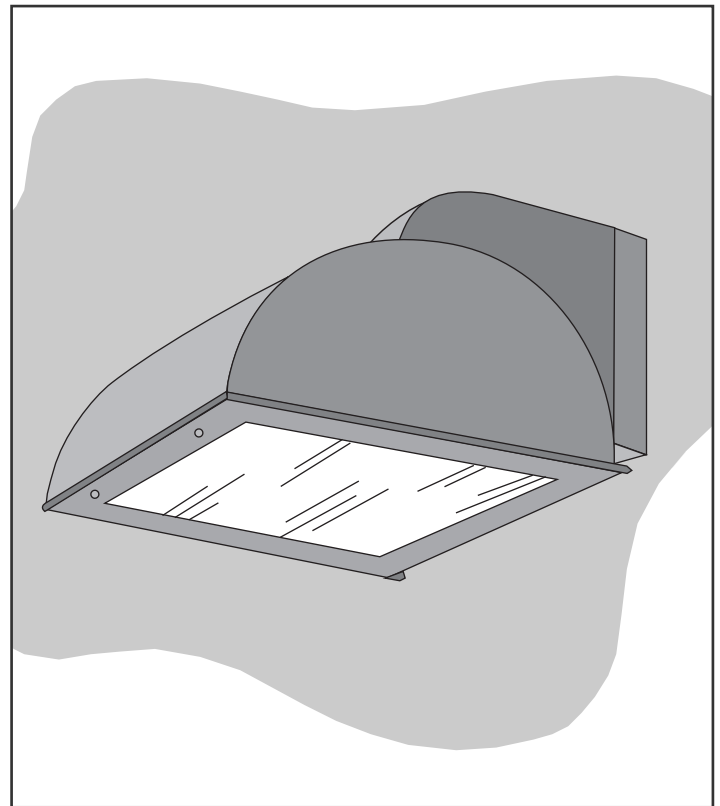
Lens Frame: Cast aluminum hinged frame is secured to the housing with two stainless steel fasteners. Clear tempered glass is gasketed and attached to the frame with four clips.

Reflector: Segmented reflector provides a smooth forward throw distribution. Reflector mounts in the housing and is supplied with a quick disconnect fastener.

Ballast/Lamp Assembly: HID ballast shall be high power factor and suitable for -20°F operation. Compact fluorescent ballast are electronic with universal input voltage from 120 to 277V. The ballast module is attached to the cast wall plate with two fasteners. Porcelain, pulse-rated mogul base sockets are supplied when available for HID lamps. Medium base sockets will be supplied with all other HID lamps. CFL sockets are 4-Pin thermoplastic with quick-disconnect push-in wiring terminals.

Finish: Polyester powder coating on all metal parts. Color to be specified.

Listing: Luminaire is ETL listed for wet locations.



Specification Guide

Series	Wattage/Lamp	Volts	Options	Finish
SH-1	(2)42w/PLT = 2/42P	120	1F = Single Fuse	BZ = Bronze
	(2)57w/PLT = 2/57P	208	2F = Double Fuse	BK = Black
	(2)70w/PLT = 2/70P	240	PSB = Pulse Start Ballast	WH = White
	100w/MH = 10H	277	PH = Photo Cell	SL = Silver
	175w/MH = 17H	480	QR = Quartz Relay	CC = Custom Color
	250w/MH = 25H		WG = Wire Guard	
	100w/HPS = 10S		5SH = 5 Degree Shield	
	150w/HPS = 15S		SCE = Side Conduit Entry	
	250w/HPS = 25S		UM = Up Mount	

Example: 100 Watt, Metal Halide, 120 Volts, Single Fuse, Bronze
SH-110H-120/1F/BZ